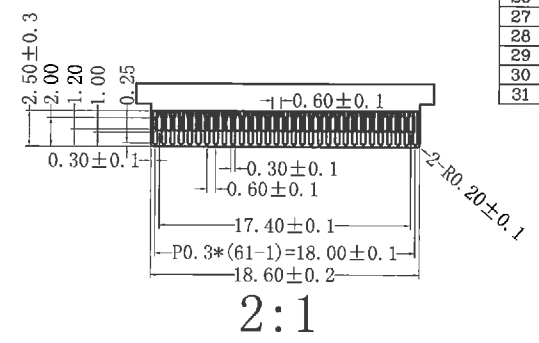
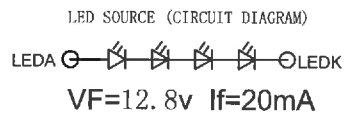


PIN	SYMBOL	PIN	SYMBOL
1	GND	32	NC
2	VCI(2.0V)	33	SCL
3	VCC(1.8V)	34	NC
4	NC	35	CS
5	SDA	36	FLM(TE)
6	NC	37	RESET
7	NC	38	GND
8	NC	39	LEDA
9	NC	40	LEDK
10	VSYNC	41	NC(YU)
11	HSYNC	42	NC(XL)
12	DOTCLK	43	NC(YD)
13	DE	44	NC(XR)
14	D17	45	NC
15	D16	46	NC
16	D15	47	NC
17	D14	48	NC
18	D13	49	NC
19	D12	50	NC
20	D11	51	NC
21	D10	52	NC
22	D9	53	NC
23	D8	54	NC
24	D7	55	NC
25	D6	56	NC
26	D5	57	NC
27	D4	58	NC
28	D3	59	NC
29	D2	60	NC
30	D1	61	NC
31	D0		

- NOTES:
1. DISPLAY TYPE: 2.8" TFT
 2. VIEWING DIRECTION: 12:00 (Gray inversion)
 3. LCD DRIVE IC: ILI9341V
 4. Brightness: 20mA/12.8V (Type) 250cd/m² (Type)
 5. POLARIZER MODE: TRANSMISSIVE/POSITIVE
 6. OPERATING TEMP: -20° C +70° C
 7. STORAGE TEMP: -30° C ~+80° C
 8. UNMARKER TOLERANCE: ±0.20
 9. REQUIREMENTS ON ENVIRONMENTAL PROTECTION: ROHS



CUSTOMER APPROVAL

Signature 2/1/20