

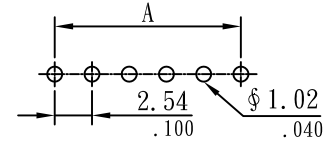
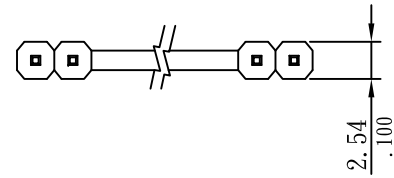
# 2.54mm(.100") HEADER 180°

## MATERIAL

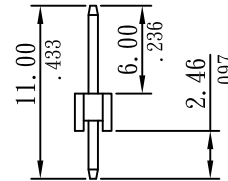
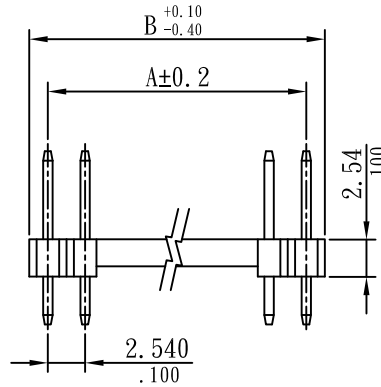
Insulator: PBT UL 94V-0  
 Color: Black  
 Contact: Brass 0.64mm(.025") square pins  
 Plating: Gold plated

## SPECIFICATIONS

Temperature range: -40°C ~ +105°C  
 Current rating: 3.0A  
 Voltage rating: 250V AC/DC  
 Dielectric withstand voltage: 500V AC  
 Insulation resistance: 1000 MΩ Min.  
 Contact resistance: 0.02Ω Max.



PCB LAYOUT  
 TOLERANCE: ±0.05mm



R 1100 xx G S 060 A S 110  
 1 2 3 4 5 6 7 8 9

## Dimensional Information

Circuits	Dim. A	Dim. B	Circuits	Dim. A	Dim. B	Circuits	Dim. A	Dim. B
2	2.54(0.100)	5.08(0.200)	15	35.56(1.400)	38.10(1.500)	28	68.58(2.700)	71.12(2.800)
3	5.08(0.200)	7.62(0.300)	16	38.10(1.500)	40.64(1.600)	29	71.12(2.800)	73.66(2.900)
4	7.62(0.300)	10.16(0.400)	17	40.64(1.600)	43.18(1.700)	30	73.66(2.900)	76.20(3.000)
5	10.16(0.400)	12.70(0.500)	18	43.18(1.700)	45.72(1.800)	31	76.20(3.000)	78.74(3.100)
6	12.70(0.500)	15.24(0.600)	19	45.72(1.800)	48.26(1.900)	32	78.74(3.100)	81.28(3.200)
7	15.24(0.600)	17.78(0.700)	20	48.26(1.900)	50.80(2.000)	33	81.28(3.200)	83.82(3.300)
8	17.78(0.700)	20.32(0.800)	21	50.80(2.000)	53.34(2.100)	34	83.82(3.300)	86.36(3.400)
9	20.32(0.800)	22.86(0.900)	22	53.34(2.100)	55.88(2.200)	35	86.36(3.400)	88.90(3.500)
10	22.86(0.900)	25.40(1.000)	23	55.88(2.200)	58.42(2.300)	36	88.90(3.500)	91.44(3.600)
11	25.40(1.000)	27.94(1.100)	24	58.42(2.300)	60.96(2.400)	37	91.44(3.600)	93.98(3.700)
12	27.94(1.100)	30.48(1.200)	25	60.96(2.400)	63.50(2.500)	38	93.98(3.700)	96.52(3.800)
13	30.48(1.200)	33.02(1.300)	26	63.50(2.500)	66.04(2.600)	39	96.52(3.800)	99.06(3.900)
14	33.02(1.300)	35.56(1.400)	27	66.04(2.600)	68.58(2.700)	40	99.06(3.900)	101.60(4.000)

1. RoHS
2. Series No.
3. Pin No.
4. Gold plated
5. Straight angle
6. Top End length: 6.0mm
7. A: Black
8. Single stack
9. Total length: 11.0mm

**Sunny Young Enterprise Co., Ltd.**  
 S. Y. E. <http://www.sunnyyoung.com.tw>  
 13F., No. 116, Sec. 1, Xintai 5th Rd., Xizhi Dist., New Taipei City 221, Taiwan  
 Tel: +886 2 2696 1668(REP) Fax: +886 2 2696 2668

M111	NAME	DATE	SCALE: 1:2	REV NO	DATE	DESCRIPTION	BY	CHECKED	TOLERANCE UNLESS NOTED	
DRAWN	DEAN	2017.09.26	UNIT: mm(in.)	A					LINEAR±	.0 ±0.30(.012)
CHECKED	ZOY	2017.09.28	CAD NO	B						.00 ±0.20(.008)
APPROVED	ALBERT	2017.09.28	R1100xxGS060AS110	C						.000±0.10(.004)

PART NO R1100xxGS060AS110

PROJECTION: