

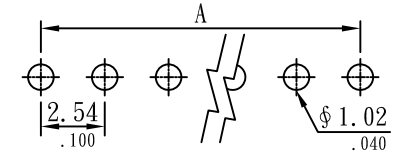
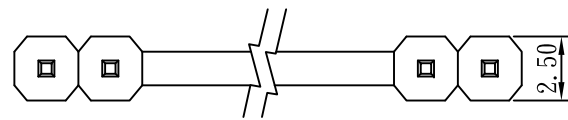
# 2.54mm(.100") HEADER 180°

## MATERIAL

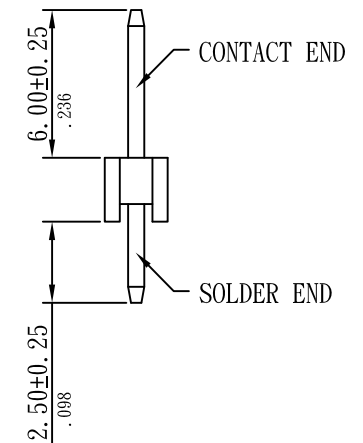
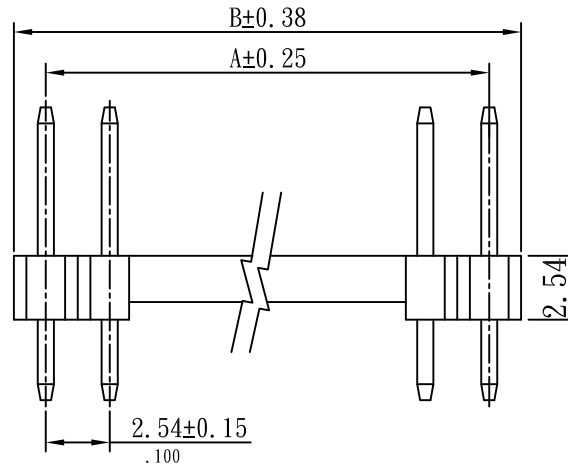
Insulator: Nylon 6T(Halogen free) UL 94V-0  
 or the equivalent material  
 Color: Black  
 Contact: Brass 0.64mm(.025") square pins  
 Plating: Gold plated on contact end  
 Tin plated on solder end

## SPECIFICATIONS

Temperature range: -40°C ~ +105°C  
 Current rating: 3.0A  
 Dielectric withstand voltage: 600V AC  
 Insulation resistance: 1000 MΩ Min.  
 Contact resistance: 0.02 Ω Max.



PCB LAYOUT  
 TOLERANCE: ±0.05mm



R 1110 xx GT S 060 A S 110  
 1 2 3 4 5 6 7 8 9

## Dimensional Information

Circuits	DIM. A		DIM. B		Circuits	DIM. A		DIM. B		Circuits	DIM. A		DIM. B	
	mm	in	mm	in		mm	in	mm	in		mm	in	mm	in
2	2.54	0.100	5.08	0.200	15	35.56	1.400	38.10	1.500	28	68.58	2.700	71.12	2.800
3	5.08	0.200	7.62	0.300	16	38.10	1.500	40.64	1.600	29	71.12	2.800	73.66	2.900
4	7.62	0.300	10.16	0.400	17	40.64	1.600	43.18	1.700	30	73.66	2.900	76.20	3.000
5	10.16	0.400	12.70	0.500	18	43.18	1.700	45.72	1.800	31	76.20	3.000	78.74	3.100
6	12.70	0.500	15.24	0.600	19	45.72	1.800	48.26	1.900	32	78.74	3.100	81.28	3.200
7	15.24	0.600	17.78	0.700	20	48.26	1.900	50.80	2.000	33	81.28	3.200	83.82	3.300
8	17.78	0.700	20.32	0.800	21	50.80	2.000	53.34	2.100	34	83.82	3.300	86.36	3.400
9	20.32	0.800	22.86	0.900	22	53.34	2.100	55.88	2.200	35	86.36	3.400	88.90	3.500
10	22.86	0.900	25.40	1.000	23	55.88	2.200	58.42	2.300	36	88.90	3.500	91.44	3.600
11	25.40	1.000	27.94	1.100	24	58.42	2.300	60.96	2.400	37	91.44	3.600	93.98	3.700
12	27.94	1.100	30.48	1.200	25	60.96	2.400	63.50	2.500	38	93.98	3.700	96.52	3.800
13	30.48	1.200	33.02	1.300	26	63.50	2.500	66.04	2.600	39	96.52	3.800	99.06	3.900
14	33.02	1.300	35.56	1.400	27	66.04	2.600	68.58	2.700	40	99.06	3.900	101.60	4.000

1. RoHS
2. Series No.
3. Pin No.
4. Selective gold plated
5. Straight angle
6. Top End length: 6.0mm
7. A: Black
8. Single stack
9. Total length: 11.04mm



Sunny Young Enterprise Co., Ltd.

S. Y. E. <http://www.sunnyyoung.com.tw>

13F., No. 116, Sec. 1, Xintai 5th Rd., Xizhi Dist., New Taipei City 221, Taiwan

Tel: +886 2 2696 1668(REP) Fax: +886 2 2696 2668

S080	NAME	DATE	SCALE: NTS	REV NO	DATE	DESCRIPTION	BY	CHECKED	TOLERANCE UNLESS NOTED	
DRAWN	RALF	2021.05.19	UNIT: mm(in.)	A					LINEAR±	.0 ±0.25(.010)
CHECKED			CAD NO	B						.00 ±0.15(.006)
APPROVED			R1110xxGTS060AS110	C						.000±0.10(.004)
PART NO	R1110xxGTS060AS110								PROJECTION:	