

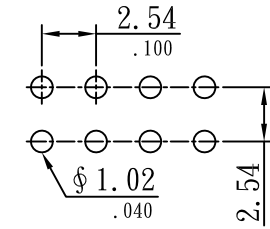
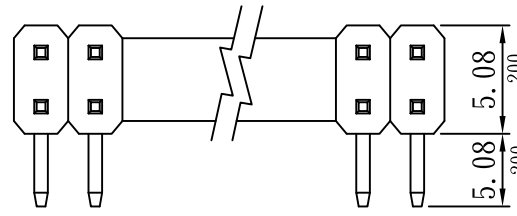
2.54mm(.100") HEADER 90°

MATERIAL

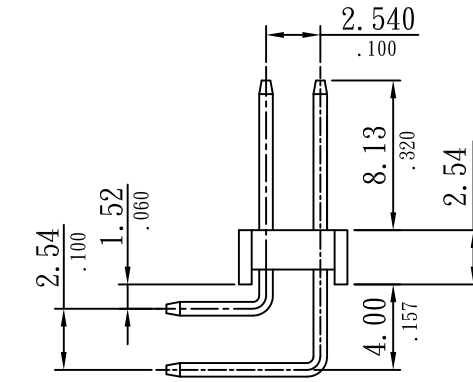
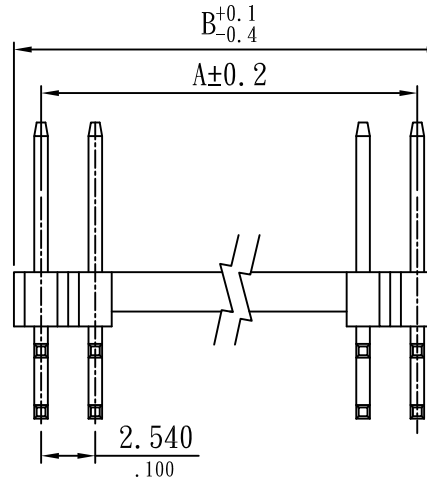
Insulator: Thermoplastic UL 94V-0
 Color: Black
 Contact: Brass 0.64mm(.025") square pins
 Plating: Gold plated

SPECIFICATIONS

Temperature range: -25°C ~ +85°C
 Current rating: 3.0A
 Voltage rating: 250V AC
 Dielectric withstand voltage: 500V AC
 Insulation resistance: 1000 MΩ Min.
 Contact resistance: 0.02 Ω Max.



PCB LAYOUT



Order Information

R 2200 xx G R 813 A S 248 10G
 1 2 3 4 5 6 7 8 9 10

1. RoHS
2. Series No.
3. Pin No.
4. Gold plated
5. Right angle
6. Top end length: 8.13mm
7. A: Black
8. Single stack
9. Total length: 24.8mm
10. Gold plating Thickness: 10u"

Dimensional Information

Circuits	Dim. A		Dim. B		Circuits	Dim. A		Dim. B		Circuits	Dim. A		Dim. B	
	mm	in	mm	in		mm	in	mm	in		mm	in	mm	in
4	2.54	0.100	5.08	0.200	30	35.56	1.400	38.10	1.500	56	68.58	2.700	71.12	2.800
6	5.08	0.200	7.62	0.300	32	38.10	1.500	40.64	1.600	58	71.12	2.800	73.66	2.900
8	7.62	0.300	10.16	0.400	34	40.64	1.600	43.18	1.700	60	73.66	2.900	76.20	3.000
10	10.16	0.400	12.70	0.500	36	43.18	1.700	45.72	1.800	62	76.20	3.000	78.74	3.100
12	12.70	0.500	15.24	0.600	38	45.72	1.800	48.26	1.900	64	78.74	3.100	81.28	3.200
14	15.24	0.600	17.78	0.700	40	48.26	1.900	50.80	2.000	66	81.28	3.200	83.82	3.300
16	17.78	0.700	20.32	0.800	42	50.80	2.000	53.34	2.100	68	83.82	3.300	86.36	3.400
18	20.32	0.800	22.86	0.900	44	53.34	2.100	55.88	2.200	70	86.36	3.400	88.90	3.500
20	22.86	0.900	25.40	1.000	46	55.88	2.200	58.42	2.300	72	88.90	3.500	91.44	3.600
22	25.40	1.000	27.94	1.100	48	58.42	2.300	60.96	2.400	74	91.44	3.600	93.98	3.700
24	27.94	1.100	30.48	1.200	50	60.96	2.400	63.50	2.500	76	93.98	3.700	96.52	3.800
26	30.48	1.200	33.02	1.300	52	63.50	2.500	66.04	2.600	78	96.52	3.800	99.06	3.900
28	33.02	1.300	35.56	1.400	54	66.04	2.600	68.58	2.700	80	99.06	3.900	101.60	4.000

Sunny Young Enterprise Co., Ltd.
 S.Y.E. <http://www.sunnyyoung.com.tw>
 13F., No. 116, Sec. 1, Xintai 5th Rd., Xizhi Dist., New Taipei City 221, Taiwan
 Tel: +886 2 2696 1668(REP) Fax: +886 2 2696 2668

PART NO R2200xxGR813AS24810G

M111	NAME	DATE	SCALE: NTS	REV NO	DATE	DESCRIPTION	BY	CHECKED	TOLERANCE UNLESS NOTED	
DRAWN	DEAN	2017.05.17	UNIT: mm(in.)	A					LINEAR±	.0 ±0.30(.012)
CHECKED	SEAN	2017.05.19	CAD NO	B						.00 ±0.20(.008)
APPROVED	ALBERT	2017.05.22	R2200xxGR813AS24810G	C						.000±0.10(.004)
									PROJECTION:	