

3.00mm(.118") WAFER 180° DUAL ROW

MATERIAL

Insulator: LCP UL 94V-0
 Contact: Brass 0.64mm(.025") square pins
 Plating: Tin plated

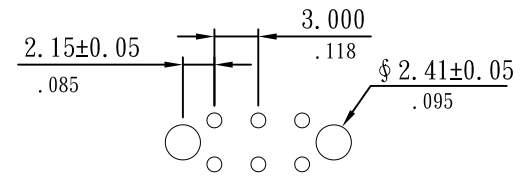
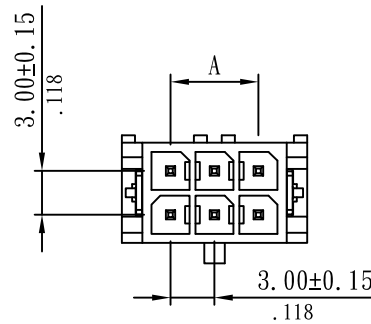
SPECIFICATIONS

Temperature range: 0°C ~ +85°C
 Current rating: 5.0A AC/DC
 Voltage rating: 250V AC/DC
 Dielectric withstand voltage: 1500V AC
 Insulation resistance: 1000 MΩ Min.
 Contact resistance: 0.01Ω Max.

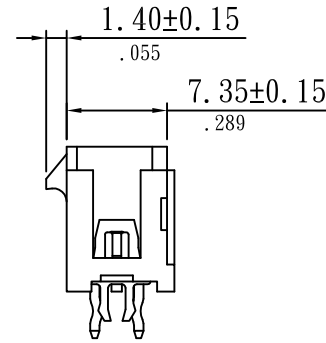
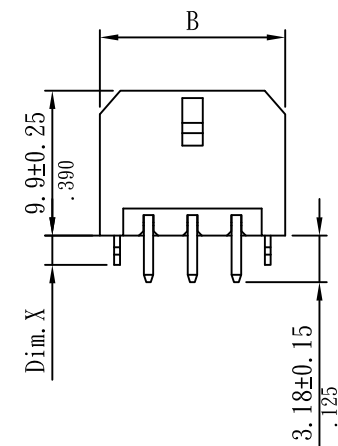
Order information

R 2661-D3-xx T S-RC
 1 2 3 4 5 6 7

1. RoHS
2. Series NO.
3. Pitch 3.0mm
4. Pin NO.
5. Tin plated
6. Straight angle
7. RC:Retention Clip Type



PCB LAYOUT



Dim. X
2.00(0.079)
3.20(0.126)

Dimensional information

Circuits	Dim. A	Dim. B	Circuits	Dim. A	Dim. B
2		6.65(0.262)	14	18.00(0.709)	24.65(0.970)
4	3.00(0.118)	9.65(0.380)	16	21.00(0.827)	27.65(1.089)
6	6.00(0.236)	12.65(0.498)	18	24.00(0.945)	30.65(1.207)
8	9.00(0.354)	15.65(0.616)	20	27.00(1.063)	33.65(1.325)
10	12.00(0.472)	18.65(0.734)	22	30.00(1.181)	36.65(1.443)
12	15.00(0.590)	21.65(0.852)	24	33.00(1.299)	39.65(1.561)



Sunny Young Enterprise Co., Ltd.

S. Y. E. <http://www.sunnyyoung.com.tw>

13F., No. 116, Sec. 1, Xintai 5th Rd., Xizhi Dist., New Taipei City 221, Taiwan

Tel: +886 2 2696 1668(REP) Fax: +886 2 2696 2668

M044	NAME	DATE	SCALE: 1:2	REV NO	DATE	DESCRIPTION	BY	CHECKED	TOLERANCE UNLESS NOTED		
DRAWN	SEAN	2015.12.22	UNIT: mm(in.)	A					LINEAR±	.0 ±0.30(.012)	
CHECKED	CSH	2015.12.22	CAD NO	B				.00 ±0.20(.008)			
APPROVED	SEAN	2015.12.22	R2661-D3-xxTS-RC	C				.000±0.10(.004)			
PART NO	R2661-D3-xxTS-RC		APPROVED		SEAN	2015.12.22	R2661-D3-xxTS-RC	C	PROJECTION:		