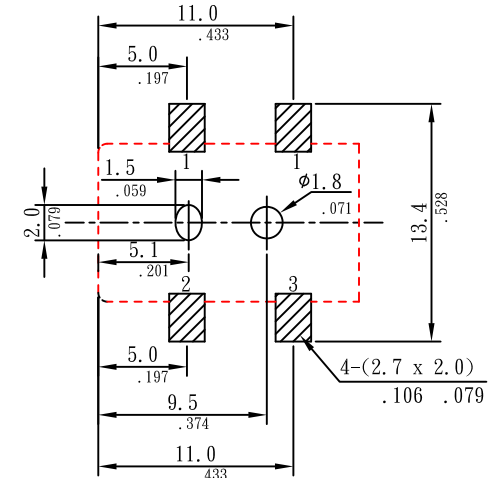
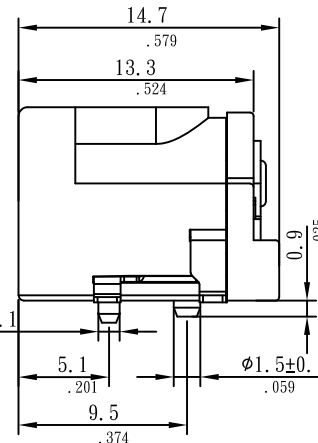
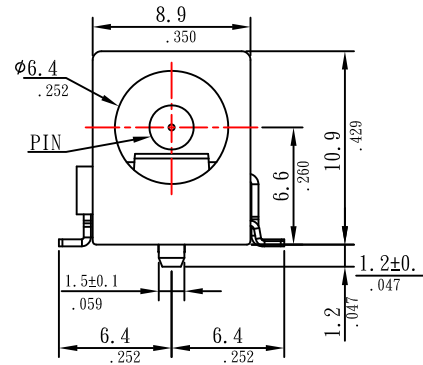
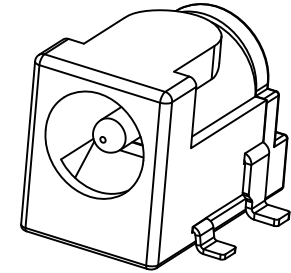
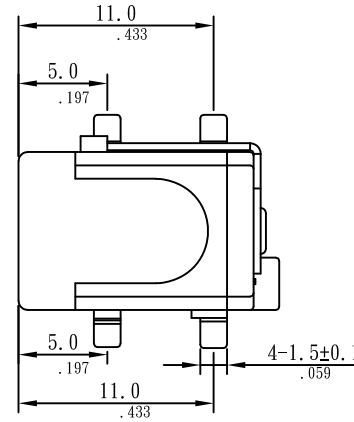


# 2.0 $\phi$ (0.079") DC POWER JACK SMT TYPE

## MATERIAL

Cover: Nylon 9T UL 94V-0, Black  
 Housing: Nylon 9T UL 94V-0, Black  
 Pin: Copper alloy, Ni plated  
 Curve piece: Brass, Ag plated  
 Spring: Phosphor bronze, Ag plated

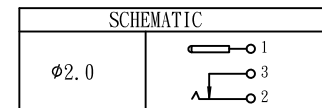


## Order Information

R 4340-DC-M05-020-A-R  
 1 2 3 4 5 6 7 8

1. RoHS
2. Series
3. DC POWER JACK
4. SMT type
5. Type 5
6. 2.0  $\phi$
7. Color:A=Black
8. Reel

T:1.6 DIMENSIONS OF PC BOARD HOLES  
 TOLERANCE :  $\pm 0.05$ (PRINTED-TOP VIEW)



**S.Y.E.** Sunny Young Enterprise Co., Ltd.  
 S. Y. E. <http://www.sunnyyoung.com.tw>  
 13F., No. 116, Sec. 1, Xintai 5th Rd., Xizhi Dist., New Taipei City 221, Taiwan  
 Tel:+886 2 2696 1668(REP) Fax:+886 2 2696 2668

M215	NAME	DATE	SCALE: NTS	REV NO	DATE	DESCRIPTION	BY	CHECKED	TOLERANCE UNLESS NOTED	
DRAWN	RALF	2021.07.15	UNIT: mm(in.)	A					LINEAR $\pm$	$\pm 0.2(.008)$
CHECKED			CAD NO	B						
PART NO	R4340-DC-M05-020-A-R	APPROVED								PROJECTION: