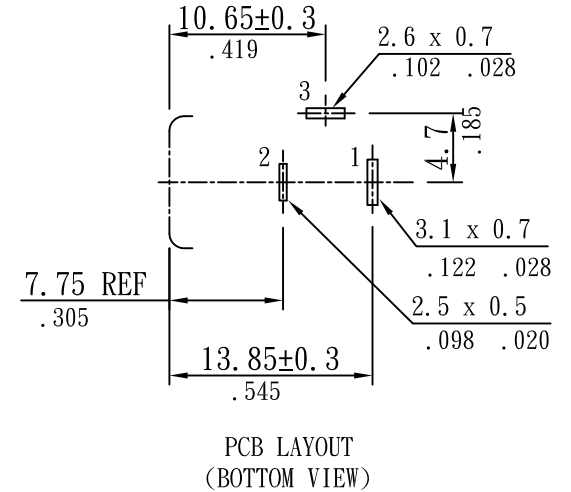
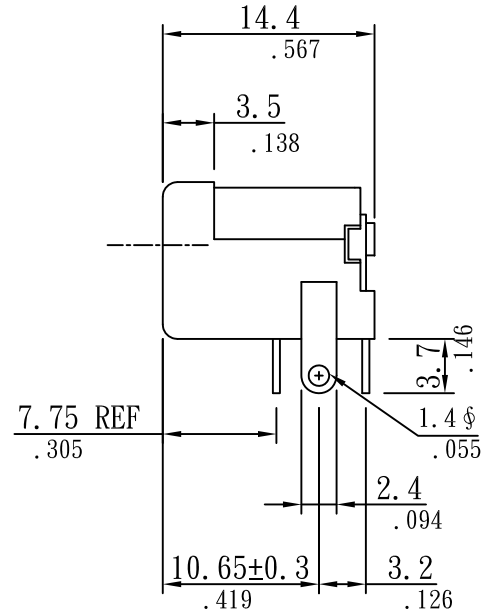
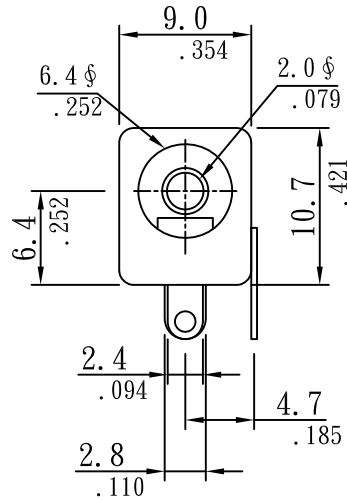


# 2.0 $\phi$ (.079") DC POWER JACK

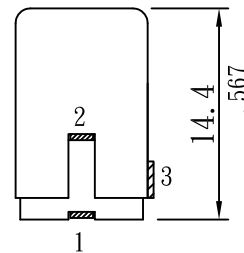


## Ordering Information

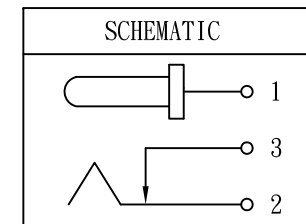
R 4340-DC-P 01-020-A  
 1 2 3 4 5 6 7

1. RoHS
2. Series
3. DC POWER JACK
4. DIP type
5. Type 1
6. 2.0  $\phi$
7. Black

NO.	NAME	MATERIAL	FINISH
1	PIN TERMINAL	BRASS 0.4THK	TIN PLATED
2	SLEEVE TERMINAL	PBS 0.25THK	TIN PLATED
3	BREAK TERMINAL	BRASS 0.4THK	TIN PLATED
4	HOUSING	P. B. T G. F	BLACK
5	CENTER PIN	BRASS 2.0 $\phi$	NICKEL PLATED



TERMINAL NUMBERS



**Sunny Young Enterprise Co., Ltd.**  
 S. Y. E <http://www.sunnyyoung.com.tw>  
 No. 276, Nan Yang Street, Hsi-Chih City, 221, Taipei, Taiwan  
 Tel: +886 2 2694 5995(REP) Fax: +886 2 2694 3721

CHECKED	APPROVED	SCALE: 1:2	REV NO	DATE	DESCRIPTION	BY	CHECKED	TOLERANCE UNLESS NOTED	
PIQI	黃國峻	UNIT: mm(in)	A					LINEAR±	.0 ±0.30(.012)
DRAWN NAME	DATE	CAD NO	B						.00 ±0.20(.008)
LEIJUN(M158)	2008.04.30-1	R4340-DC-P01-020-A	C						.000±0.10(.004)

DWG NAME R4340-DC-P01-020-A (RoHS)