

1.00mm(.039") FPC/FFC CONNECTOR SMT TYPE

MATERIAL

Insulator: Thermoplastic high temp. UL 94V-0, Natural
 Latch: Thermoplastic high temp. UL 94V-0, Black
 Terminal: Copper alloy, Au/matt tin overall
 Fitting nail: Copper alloy, Matt tin overall

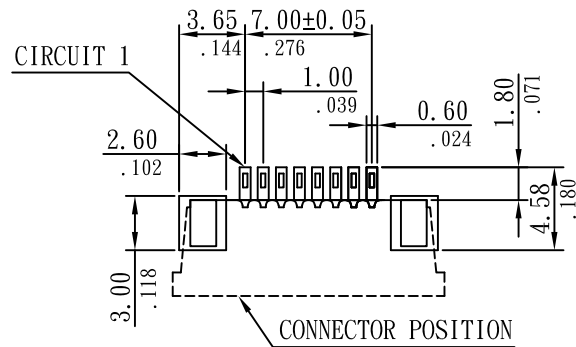
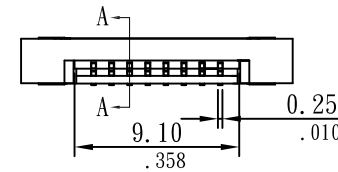
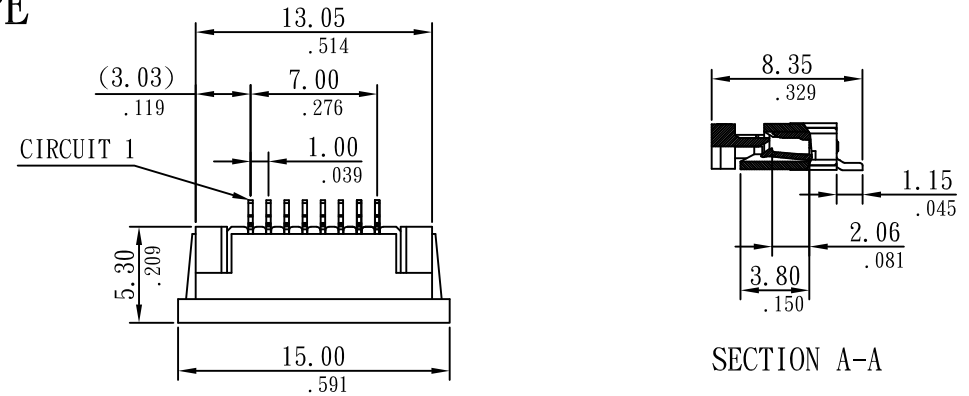
SPECIFICATIONS

Temperature range: -25°C ~ +85°C
 Current rating: 0.4A
 Voltage rating: 50V
 Dielectric withstand voltage: 250V AC
 Insulation resistance: 500 MΩ Min.
 Contact resistance: 0.04Ω Max.

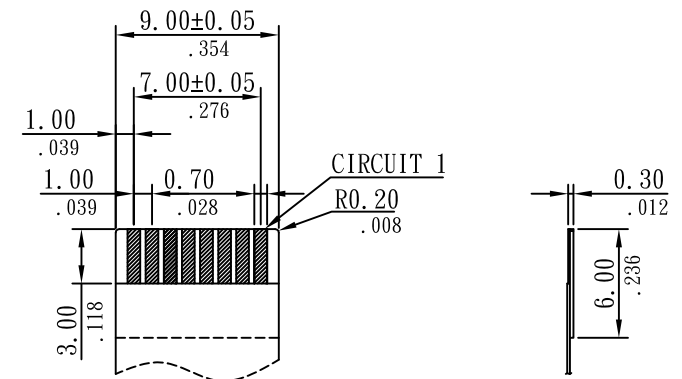
Order Information

R 6826-08 H R-SMT-R
 1 2 3 4 5 6 7

1. RoHS
2. Series No.
3. Pin No.
4. Selective gold plated
5. Right Angle
6. SMT Type
7. Reel



RECOMMENDED PCB PATTERN LAYOUT



RECOMMENDED FPC/FFC DIMENSION

Sunny Young Enterprise Co., Ltd.
 S. Y. E. <http://www.sunnyyoung.com.tw>
 13F., No. 116, Sec. 1, Xintai 5th Rd., Xizhi Dist., New Taipei City 221, Taiwan
 Tel: +886 2 2696 1668(REP) Fax: +886 2 2696 2668

L135	NAME	DATE	SCALE: NTS	REV NO	DATE	DESCRIPTION	BY	CHECKED	TOLERANCE UNLESS NOTED	
DRAWN	RALF	2021.09.22	UNIT: mm(in.)	A					LINEAR±	.0 ±0.15(.006)
CHECKED			CAD NO	B						.00 ±0.10(.004)
PART NO	R6826-08HR-SMT-R	APPROVED		R6826-08HR-SMT-R	C				PROJECTION:	