

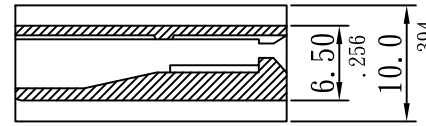
250 TYPE MALE HOUSING

MATERIAL

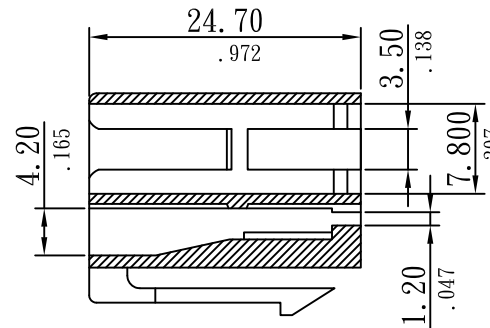
Material: PA66

SPECIFICATIONS

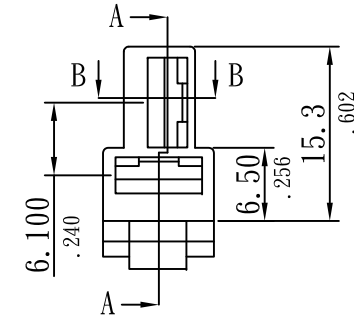
Temperature range: -25°C ~ +85°C
 Current rating: 15A AC
 Voltage rating: 250V AC
 Dielectric withstand voltage: 1000V AC



SECB-B



SECA-A



Sunny Young Enterprise Co., Ltd.

S. Y. E. <http://www.sunnyyoung.com.tw>

13F., No. 116, Sec. 1, Xintai 5th Rd., Xizhi Dist., New Taipei City 221, Taiwan

Tel: +886 2 2696 1668(REP) Fax: +886 2 2696 2668

PART NO

RM082-RB-2BSL-NL

| T016 | NAME | DATE | SCALE: NTS | REV NO | DATE | DESCRIPTION | BY | CHECKED | TOLERANCE UNLESS NOTED | |
|----------|------|--------------|------------------|--------|------|-------------|----|---------|------------------------|-----------------|
| DRAWN | YXF | 2009. 12. 09 | UNIT: mm(in.) | A | | | | | LINEAR± | .0 ±0.30(.012) |
| CHECKED | CMM | 2009. 12. 09 | CAD NO | B | | | | | | .00 ±0.20(.008) |
| APPROVED | MARS | 2009. 12. 09 | RM082-RB-2BSL-NL | C | | | | | | .000±0.10(.004) |

PROJECTION: