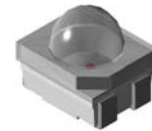


3528 Dome Package SMD LED

VR 76E08

Description

The constructive of this series of LED are different from the PCB type SMD LED. The lead-frame is of metal, reflector is made of thermoplastic and construct into this unique type of SMD LED. The wavelengths and luminous Intensities of this series are grouped under 50mA for uniformity. The dice used in this series is AlGaInP technology. The advantages of AlGaInP are low power consumption and obtaining high luminous intensity.



Applications

- Dashboards and switch
- Backlight keypads
- Industrial control systems signal indicator
- Automotive features
- Industrial panel



Electronic Optical Characteristics (at 50mA):

Part Number	Emitted Color	λ (nm)		Lens Color	Iv(mcd)		View Angle	VF(V)	
		λ d	λ p		Min.	Typ.		Min.	Max.
VR 76E08	Yellow 	589	591	Milky	7100	11200	30	1.8	2.8

Absolute Maximum Ratings (at Ta=25°C)

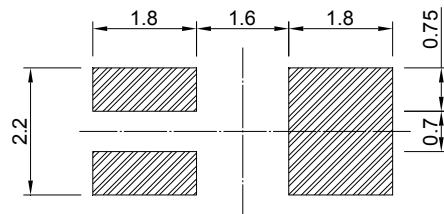
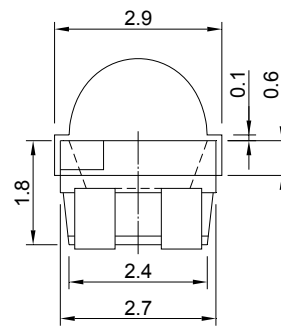
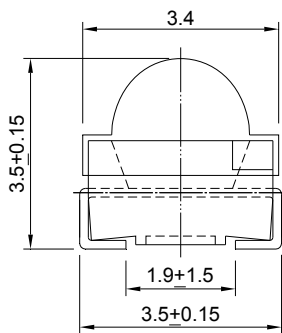
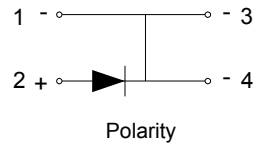
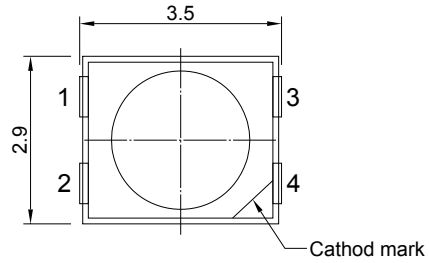
P _D (mW)	I _{FP} (mA)	I _F (mA)	Iron Solder(°C)	I _R (uA)@V _R =5V	Topr(°C)	Tstg(°C)
120	100*	50	350 ± 5 for 3 sec.	10	-40~+85	-40~+100

Note: Please take note the Absolute Maximum Rating values. Any operation beyond the specify ratings in this table will result degradation of LED life-span and may cause LED to fail.

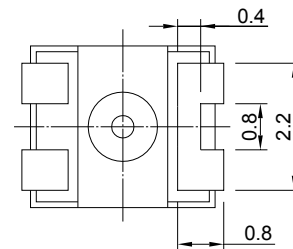
* I_{FP}: Peak Forward Current under 1/10 duty, 1KHz condition

Package Dimension:

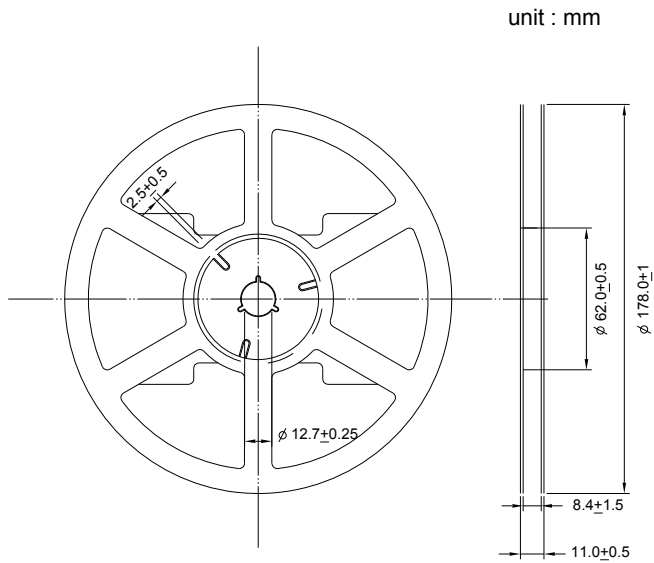
unit:mm



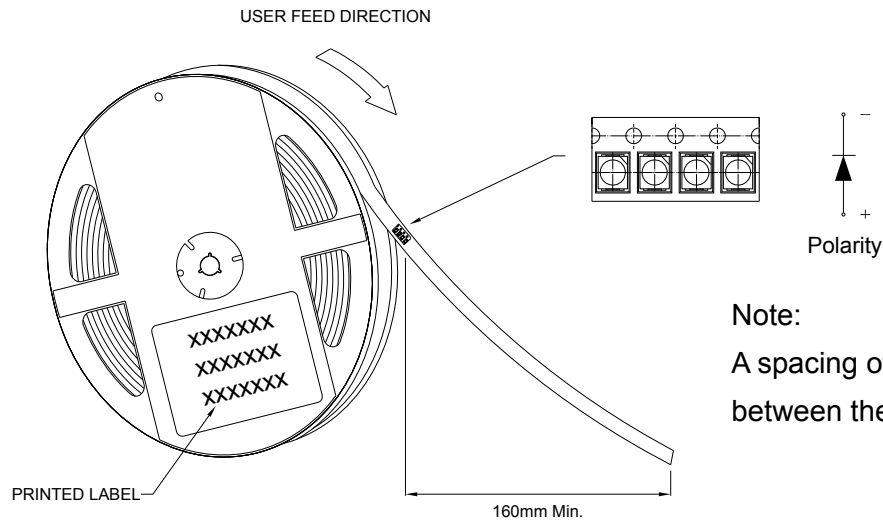
Recommended Soldering Pad


Notes:

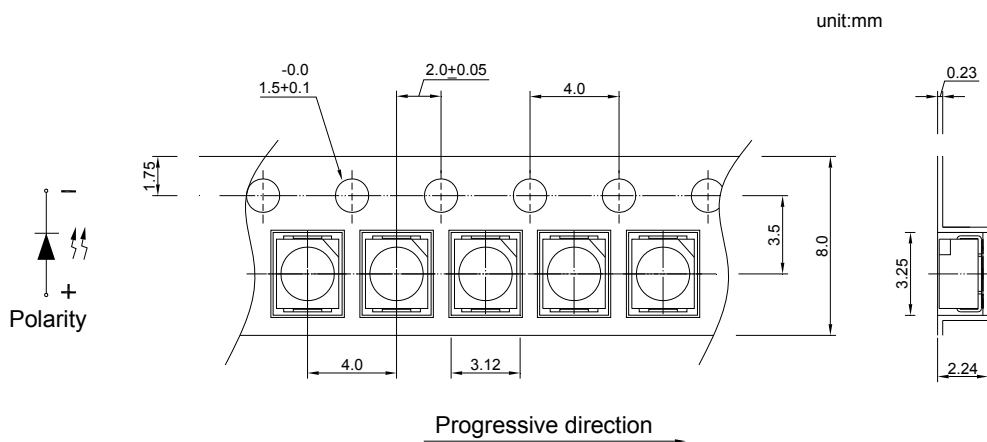
1. All dimensions are millimeters.
2. Tolerance is $\pm 0.2\text{mm}$ unless otherwise specified.
3. Specifications are subject to change without notice.

Reel Dimension:

Note:

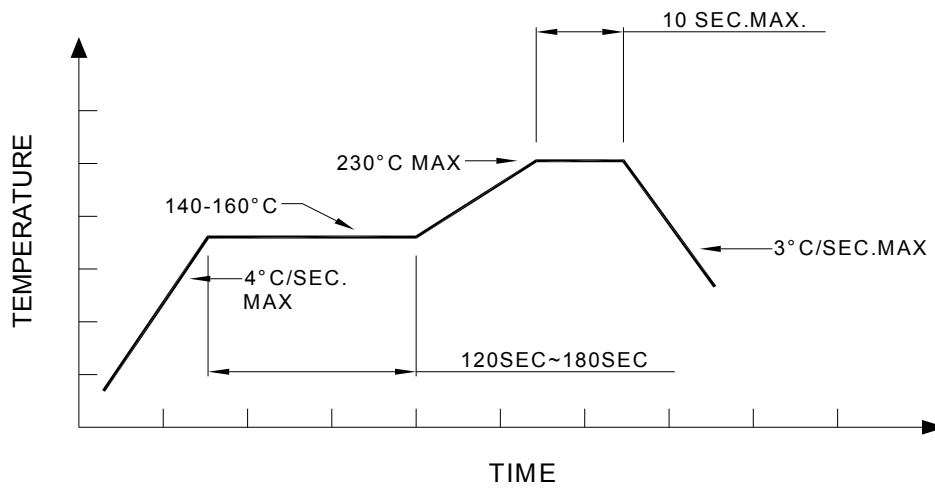
Available in 8mm carrier tape on 178mm diameter reels. (500 pieces)


Note:

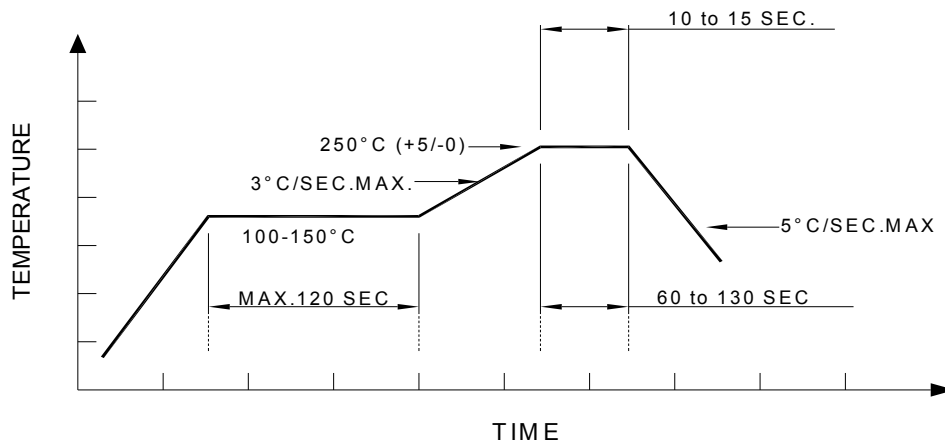
A spacing of approximately 160mm between the front edge of tape

Tape Dimension:


Recommended re-flow soldering profile:



Recommended Pb-free re-flow soldering profile:



Specification for bin grade @50mA

Iv(mcd)			λ (nm)		
Code	Min.	Max.	Code	Min.	Max.
EA	7100	9000	A5	583	586
EB	9000	11200	A6	586	589
FA	11200	14000	A7	589	592
FB	14000	18000	A8	592	595