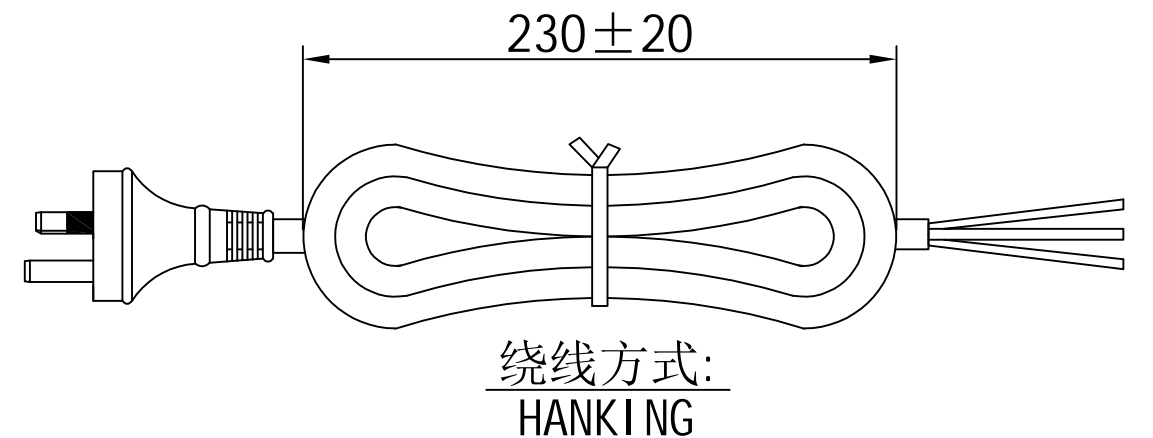


备注: 10条/扎, 70条/箱, 纸箱大小为51\*31\*18CM, 净重14公斤。

⑤	PLUG PVC: KCS70-5001-85, BLACK 插头料: KCS70-5001-85, 黑色	40	g
④	HOSING: THREE-CORE SAA 10A PLUG INNER SHELL, WHITE 塑壳: 10A SAA三插塑壳, 白色	1	pcs
③	TERMINAL: THREE-CORE SAA 10A PLUG L&N POLARITY, TERMINAL 端子: 10A SAA半绝缘插片, 镀镍	2	pcs
②	TERMINAL: THREE-CORE SAA 10A PLUG E POLARITY, TERMINAL 端子: 10A SAA全铜插片, 镀镍	1	pcs
①	CABLE: H05VV-F 3G1.0mm <sup>2</sup> 32/0.20BS*2.5*3C(BROWN、BLUE、YELLOW/GREEN)*6.9 BLACK L=2000mm 线材: H05VV-F 3G1.0mm <sup>2</sup> 32/0.20BS*2.5*3C(棕、蓝、黄/绿)*6.9 黑色 L=2000mm	1	pcs
ITEM	DESCRIPTION	QTY	UNIT



					DRAWING NO: 图号		DRAWN BY P. E: HAN		DATE 10.11.30		NINGBO A-LINE CABLE AND WIRE CO., LTD CONNECT THE WORLD	
					AL030327-002-01		CHECKED BY S. A:		DATE		CLIENT CODE: AL030327	
					-- -- DIMENSIONS IN MM DWG NOT TO SCALE		APPROVED BY MGR:		DATE		CUSTOMER PART NO: 货号 VT916550	
REV	ECO	DATE	REMARK	CHG' D BY	CHG' D BY							