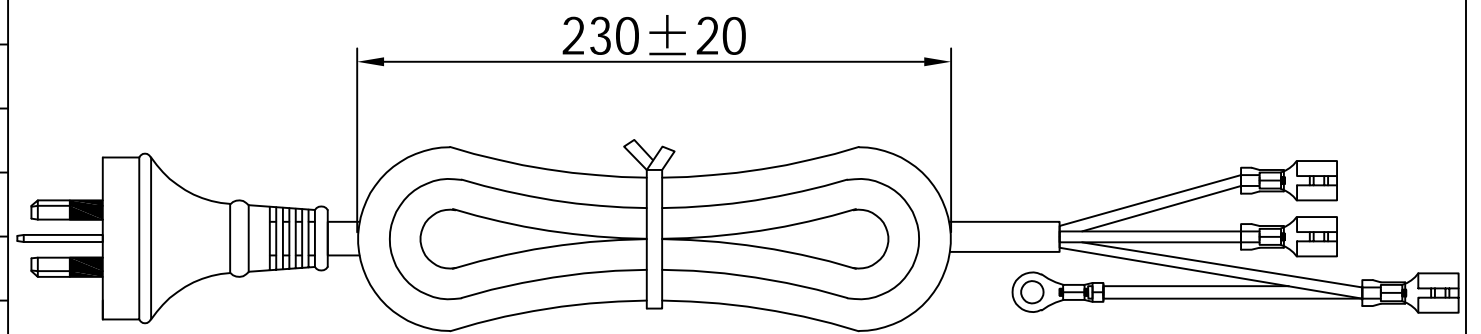


印字内容: ESV170312 250/440V H05VV-F 4V-75 3G1.0mm<sup>2</sup>  
NINGBO A-LINE CABLE AND WIRE CO., LTD AS/NZS3191

备注: 1. 10条/扎, 70条/箱, 纸箱大小为51\*31\*18CM, 净重14公斤.

⑨	CABLE: 1.0mm <sup>2</sup> 32/0.20BS*2.5 YELLOW/GREEN L=100mm 线材: 1.0mm <sup>2</sup> 32/0.20BS*2.5 黄/绿 L=100mm	1	pcs
⑧	TERMINAL: φ4.2mm RING TERMINAL φ 4.2mm环形端子, 镀锡	1	pcs
⑦	TERMINAL: 250#(6.3*0.8mm) FEMALE YELLOW SEMI-INSULATED TERMINAL 250#(6.3*0.8mm) 黄色半绝缘冷压直插母端子(双铆)	1	pcs
⑥	TERMINAL: 250#(6.3*0.8mm) FEMALE RED SEMI-INSULATED TERMINAL 250#(6.3*0.8mm) 红色半绝缘冷压直插母端子	2	pcs
⑤	PLUG PVC: KCS70-5001-85, BLACK 插头料: KCS70-5001-85, 黑色	40	g
④	HOSING: THREE-CORE SAA 10A PLUG INNER SHELL, WHITE 塑壳: 10A SAA三插塑壳, 白色	1	pcs
③	TERMINAL: THREE-CORE SAA 10A PLUG L&N POLARITY, TERMINAL 端子: 10A SAA半绝缘插片, 镀镍	2	pcs
②	TERMINAL: THREE-CORE SAA 10A PLUG E POLARITY, TERMINAL 端子: 10A SAA全铜插片, 镀镍	1	pcs
①	CABLE: H05VV-F 3G1.0mm <sup>2</sup> 32/0.20BS*2.5*3C(BROWN、BLUE、YELLOW/GREEN)*7.0 BLACK L=2000mm 线材: H05VV-F 3G1.0mm <sup>2</sup> 32/0.20BS*2.5*3C(棕、蓝、黄/绿)*7.0 黑色 L=2000mm	1	pcs
ITEM	DESCRIPTION	QTY	UNIT



绕线方式:  
HANKING

				DRAWING NO: 图号		DRAWN BY P. E: HAN		DATE 19.9.11		NINGBO A-LINE CABLE AND WIRE CO., LTD CONNECT THE WORLD	
				AIS-0009-00		CHECKED BY S. A:		DATE		CLIENT CODE: Ivent Solutions	
				DIMENSIONS IN MM DWG NOT TO SCALE		APPROVED BY MGR:		DATE		CUSTOMER PART NO: 货号 VT919100	
00	-	19.9.11	RTM	HAN							
REV	ECO	DATE	REMARK	CHG'D BY	CHG'D BY						