

DRG SERIES

10x10 SIZE SEALED CONSTRUCTION ROTARY TYPE

DRG SERIES

FEATURES

- Molded-in terminals and fully sealed construction.
- Standard 2.54mm pin spacing.
- All plastics are UL 94V-0 grade fire retardant.
- Reliable contact and long-term stability.
- Binary decimal (8 or 10 positions) and hexadecimal (16 positions), real and complementary codes available.
- Pin-out is compatible with most of current equivalents.
- Gold plated contact to ensure low contact resistance.

APPLICATIONS

- Address switching applications
- Data storage devices
- Computer and peripherals
- Instrumentation

SPECIFICATIONS

1 ELECTRICAL

- Contact rating
 - Switching 25 mA, 24 VDC
 - Non-switching 100 mA
- Contact resistance 100 mΩ Max.
- Insulation resistance 1000 MΩ Min. at 100 VDC
- Dielectric strength 250 VAC Min. for 60 seconds

2 MECHANICAL and ENVIRONMENTAL

- Temperature rating
 - Operating -25 °C to +70 °C
 - Storage -40 °C to +85 °C
- Operation force 500 gf-cm Max.
- Mechanical life 2,000 steps per position
- Vibration 10Hz-50Hz-10Hz for 6 Hrs.
- Solderability (for through hole type) After flux 230±5 °C for 5±0.5 seconds, 95% coverage
- Resistance to soldering heat (for through hole type) 260±5 °C for 5±1 seconds
- Reflow soldering heat for SMT type (reference only) 210 °C for 20 seconds or less, peak temperature 230 °C or less

PIN OUT (3:3)

SMT Type

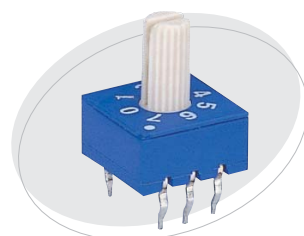


PIN OUT (1:4)

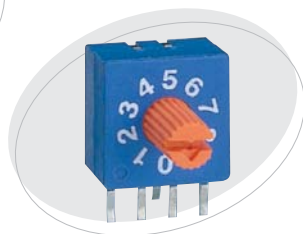
Flat Type



Shaft Rotor Type



Right Angle Type



PART NUMBERING SYSTEM

DRG — 3 10 L R M C *

(1) (2) (3) (4) (5) (6) (7) (8)

- (1) Series name
DRG: Rotary type sealed construction
- (2) Pin out
3: 3:3
4: 1:4
- (3) Number of positions
08, 10, 16
- (4) Rotor
E: Shaft type
L: Flat type
- (5) Code
R: Real
C: Complement
- (6) Terminal
Blank: Standard type (Top adjust type)
R: Right angle type with rows spacing 2.54mm (Side adjust type)
R5: Right angle type with rows spacing 5.08mm (Side adjust type)
M: Surface mounting type with top tape sealed
- (7) Packaging
Blank: Tube packaging
C: Tape & reel packaging (For SMT(M) type only)
- (8) Options
Blank: Standard
H: Shaft cover (For shaft rotor type only)
F: RoHS compliance

CODE

PIN NO.	POSITION															
	0	1	2	3	4	5	6	7	8	9	A	B	C	D	E	F
1	○	●	○	●	○	●	○	●	○	●	○	●	○	●	○	●
2	○	○	●	●	○	○	●	●	○	○	●	●	○	○	●	●
4	○	○	○	○	●	●	●	○	○	○	○	●	●	●	○	○
8	○	○	○	○	○	○	○	○	○	○	○	○	○	○	○	○





-Real Code
Rotor color : White (3:3), Yellow (1:4)
-Complement Code
Rotor color : Red (3:3), Orange (1:4)

PACKAGING Unit: Tube/Reel

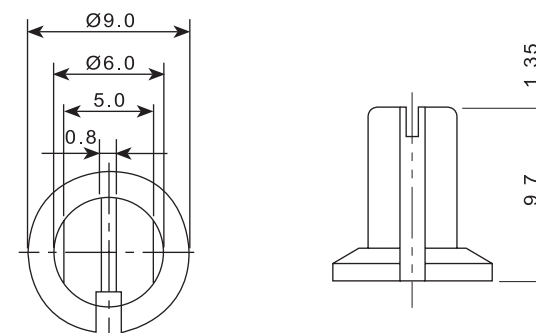
Packaging	No. of pcs. per unit	Positions		
		08	10	16
Tube packaging	Standard type	50	50	50
	Right angle type with rows spacing 2.54mm	50	50	50
	Right angle type with rows spacing 5.08mm	50	50	50
	Surface mounting type	50	50	50
Reel packaging	Surface mounting type	700	700	700

OPTIONS

- Special marking available upon request
- Shaft cover

Code	Real code		Complement code	
	3:3	1:4	3:3	1:4
Part no	118-80100	118-80300	118-80200	118-80400
Cover color	White 	Yellow 	Red 	Orange 

DIMENSIONS (Unit: mm)

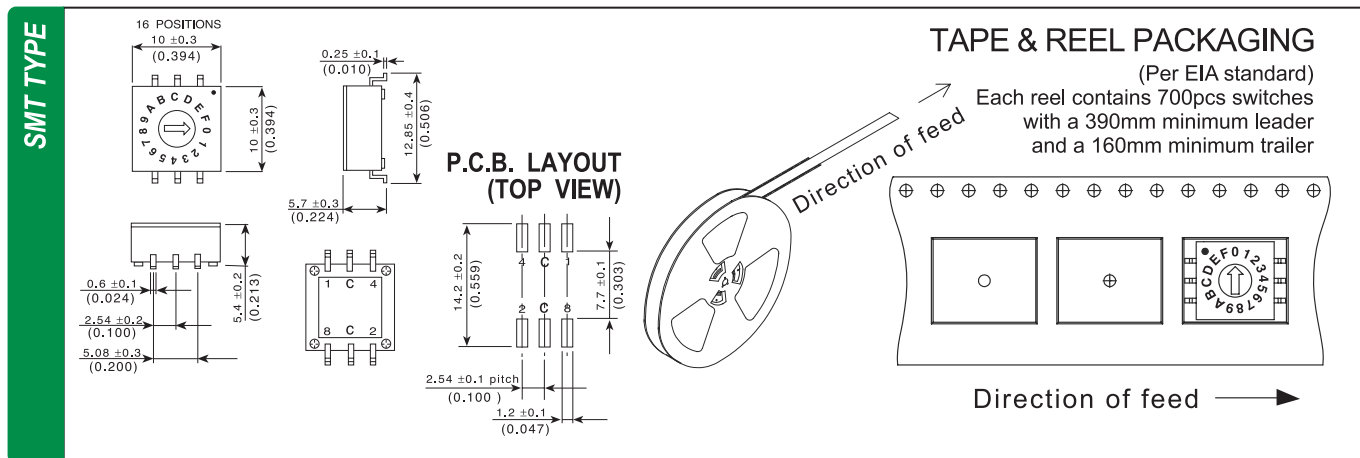
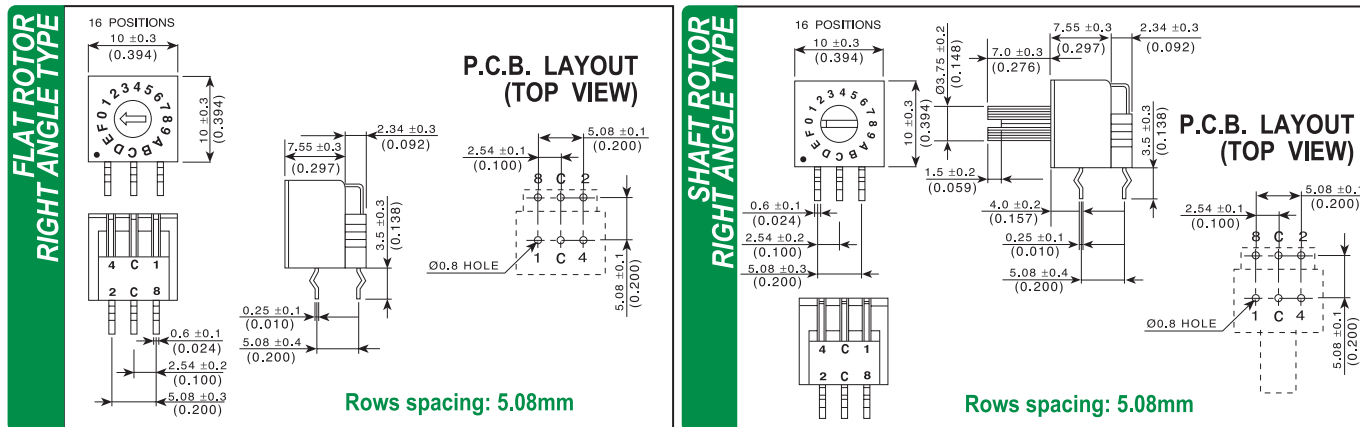
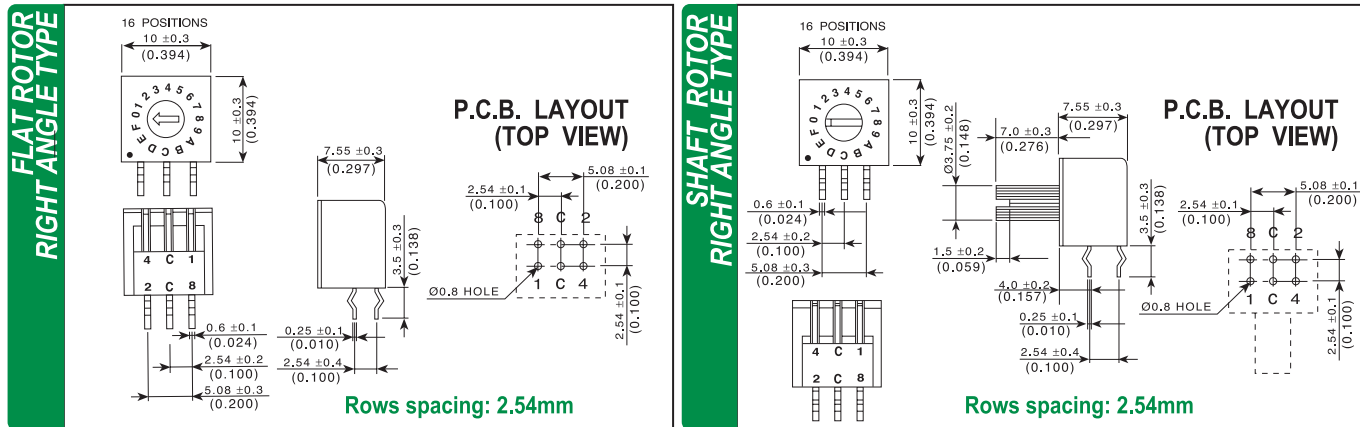
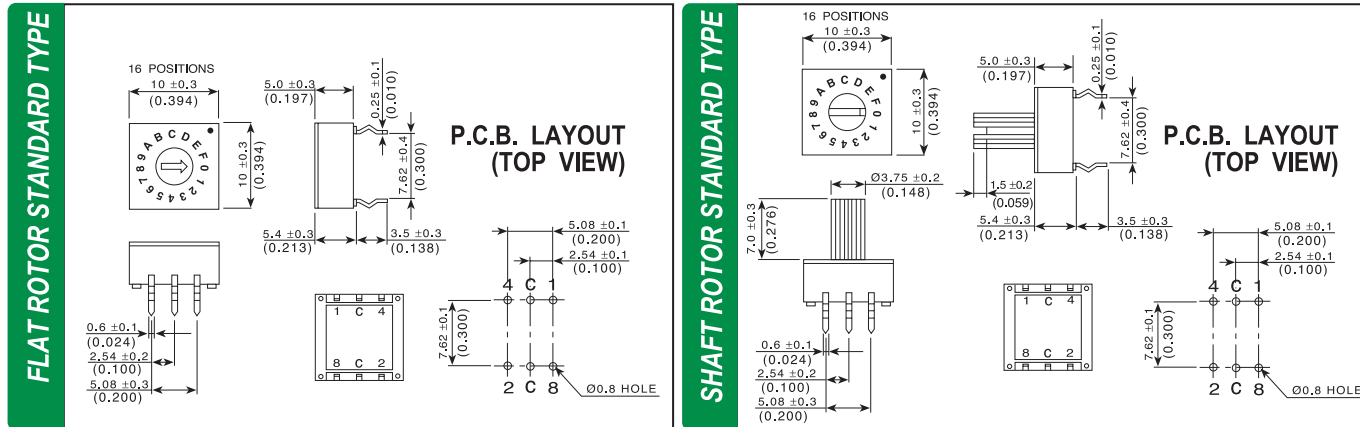


DRG SERIES



DIMENSIONS Unit: mm(inch)

Pin out 3:3



DRG SERIES



DIMENSIONS Unit: mm(inch)

Pin out 1:4

