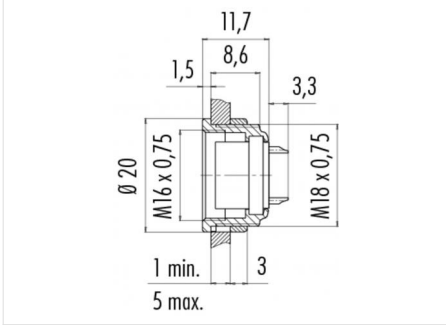


Product description	<b>Polzahl: 12, Flanschdose, löten, 12 - 19 pol, vergoldete Kontakte</b>
Area	<b>M16 IP40 Series 581/ 680/ 682</b>
Order number	<b>09 0332 00 12</b>

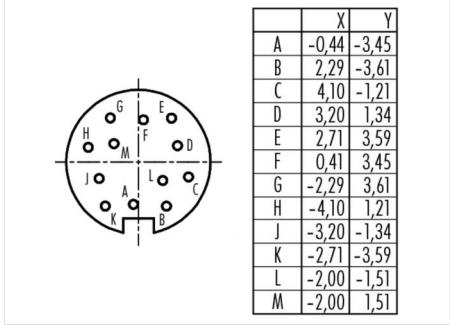
**Illustration**



**Scale drawing**



**Contact arrangement**



You can find the assembly instructions on the next page.

**Technical data**

**General values**

Connector design	female panel mount connector
Connector locking system	bolted
Termination	solder
Wire gauge (mm)	0,25 mm <sup>2</sup>
Wire gauge (AWG)	24
Upper limit temperature	85 °C
Lower limit temperature	-40 °C

**Electrical values**

Rated voltage	60 V
Rated impulse voltage	500 V
Pollution degree	1
Overvoltage category	I
Insulating material group	III
Rated current (40 °C)	3 A
Volume resistivity	≤ 3 mΩ
EMC compliance	Shielding is not possible
Degree of protection	IP40
Mechanical operation	> 500 Mating cycles

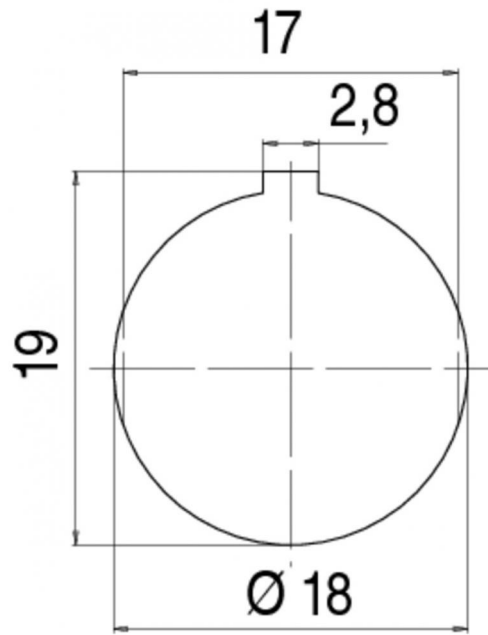
**Material**

Contact material	CuSn (Bronze)
Contact plating	Au (gold)
Contact body material	PBT (UL 94 V-0)

Product description **Polzahl: 12, Flanschdose, löten, 12 - 19 pol, vergoldete Kontakte**

Area **M16 IP40 Series 581/ 680/ 682**  
Order number **09 0332 00 12**

Assembly instructions / Panel cut-out



Product description **Polzahl: 12, Flanschdose, löten, 12 - 19 pol, vergoldete Kontakte**

Area **M16 IP40 Series 581/ 680/ 682**  
Order number **09 0332 00 12**

## Sicherheitshinweise

2. The connectors are designed for use in plant, control system and electrical equipment. The end user is responsible for checking whether the connectors are suitable for use in other applications.