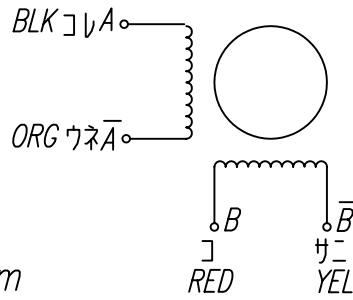


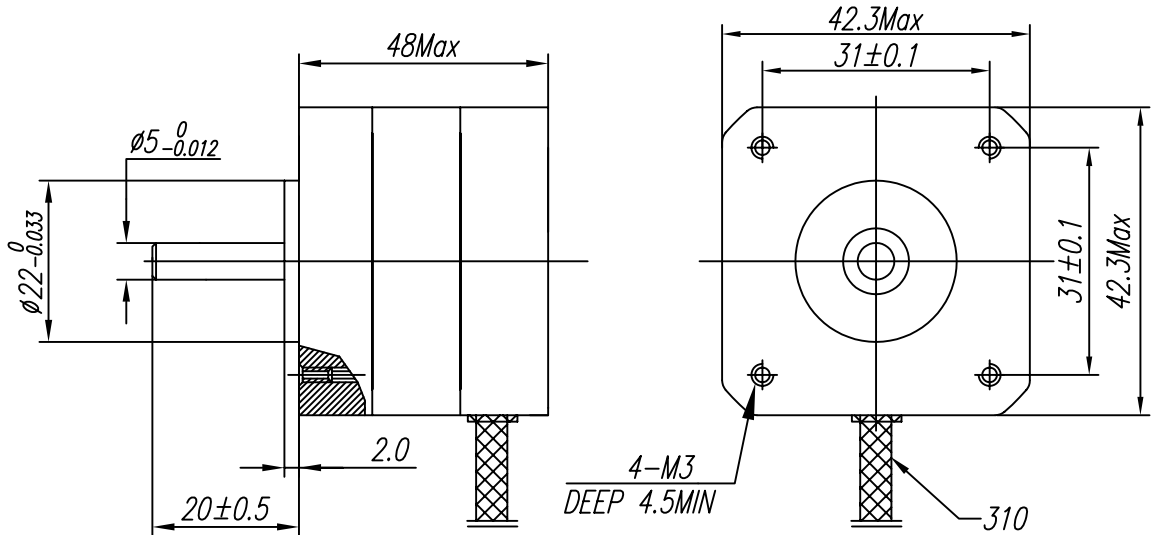
# HYBRID STEPPING MOTOR MOD. 17HS8409N-20

## ☐ COLORS OF LEAD WIRES



DATE	20100524
EDIT	A

## ☐ DIMENSIONS unit=mm



## ☐ SPECIFICATIONS

PHASE	1	2	PHASE	COMMENT
STEP ANGLE	1.8±5%	1.8±5%	°/STEP	
VOLTAGE	6.2	6.2	V	
CURRENT	1.0	1.0	A/PHASE	
RESISTANCE	6.2 ±10%	6.2 ±10%	Ω/PHASE	
INDUCTANCE	12 ±20%	12 ±20%	mH/PHASE	
HOLDING TORQUE	50	50	N.cm Min	
DETENT TORQUE	2.2	2.2	N.cm Max	
INSULATION CLASS	B	B		
LEAD STYLE	AWG26 UL1007	AWG26 UL1007		

シ ン	20100524	シ ン		SPECIFICATION	MS MOTOR
ク、ヨ		ナ ッ			
					- 7c NR