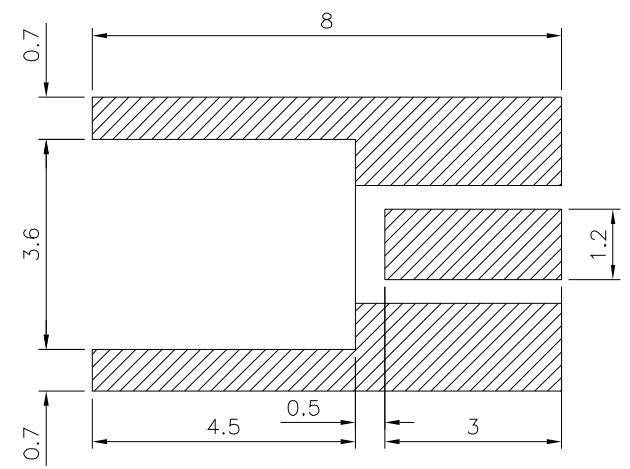
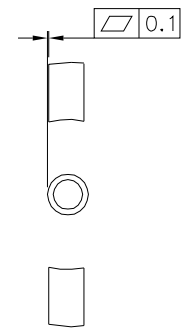
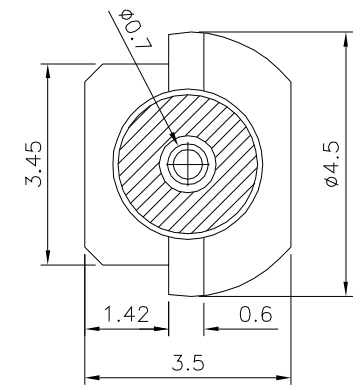
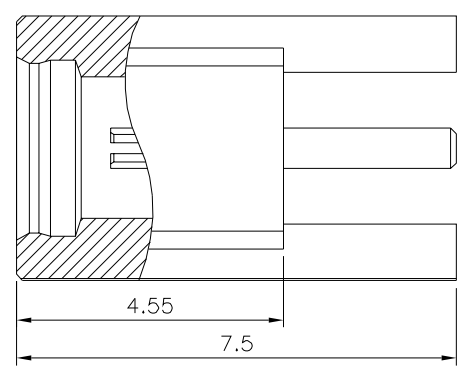


SPECIFICATION

Impedance:50 Ohms
 Body:Brass,Gold Plated Over Nickel
 Insulator:Teflon
 Center Pin:Beryllium Copper,Gold Plated Over Nickel
 RoHS Compliant



Recommended P.C.B. Layout



4UCON

元化興業股份有限公司
 4UCON TECHNOLOGY INC.

DRAWING No.		APPROVED BY		UNLESS OTHERWISE SPECIFIED TOLERANCES ARE X. ±0.1 .X ±0.1 .XX ±0.1
21485		MEI		
		CHECKED BY HZF		
DRAWING BY		CYP		
SCALE	NONE	REV.	A0A	UNIT mm

NO.	REV.	REVISIONS	CHK	DATE
		A0A NEW RELEASE	HZF	11/02/2018