 <b>泓达电子</b> <b>HONGDA ELECTRONIC</b>	产品规格书	版本号 EDITION NO.	A/1
	PRODUCT SPECIFICATION	文件编号 FILE NO.	HD/E06301
	型号 MODEL: 63F/63FP	页码 PAGE	1/5

### 1. 适用范围 Scope of application

本产品适用于各种电子电器内的电路中起过电流保护作用。

This product is suitable for various kinds of electronic machines to work for over current protection.

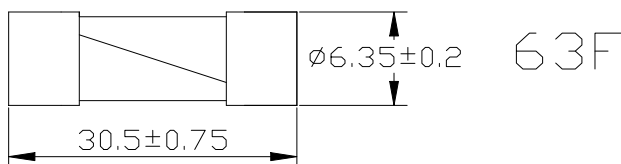
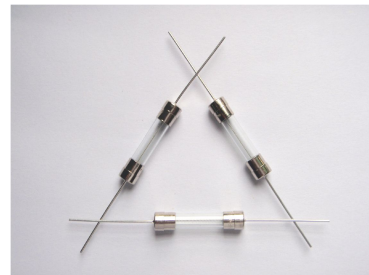
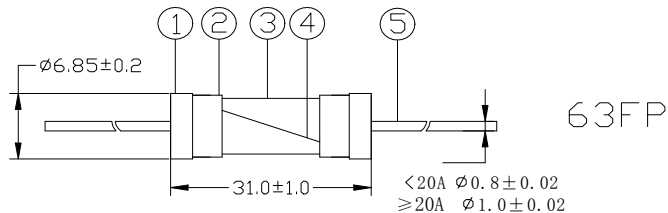
### 2. 相关标准及认证 Relevant Standards and Certification

2.1 执行标准 Standard: UL248-1 UL248-14

2.2 认证 Certification:


额定电压 Voltage rating	UL/CUL(Listed)		UL/CUL (Recognized)	
	认证范围 Scope of Certification	证书编号 Certification No.	认证范围 Scope of Certification	证书编号 Certification No.
125V	32mA~10A	E318938	12A~20A	E318938
250V	32mA~10A	E318938	12A~20A	E318938
PSE	JET6809-31003-1001 (5A 以下)		JET6809-31003-1002 (5A~15A)	

### 3. 结构及尺寸 Structure and Size (unit: mm)



### 4. 原材料明细 Material Details

编号 No.	零件名称 Part Name	材质 Material
①	端帽 End cap	黄铜表面镀镍 Nickel plated brass
②	内帽 Inner cap	黄铜表面镀镍 Nickel plated brass
③	玻璃管 Glass tube	玻璃 Glass
④	熔丝 Fuse element	合金线 Alloy
⑤	引线 Lead wire	镀锡铜线 Tinned copper wire

 <b>泓达电子</b> <b>HONGDA ELECTRONIC</b>	<b>产品规格书</b> <b>PRODUCT SPECIFICATION</b>	<b>版本号 EDITION NO.</b> <b>A/1</b>
	<b>型号 MODEL: 63F/63FP</b>	<b>文件编号 FILE NO.</b> <b>HD/E06301</b>
	<b>页码 PAGE</b> <b>2/5</b>	

## 5. 标示 Marking

保险丝应印有下列标示：The fuse shall have the following marking：

A 帽：泓达标志 + 型号 + 认证符号

HONGDA's logo+ model +Approved Symbol



B 帽：额定电流 + 额定电压

Ampere rating + Voltage rating

**2A**      **250V**

## 6. 外观 Appearance

6.1 外观不应有显著的污点、裂纹。

There shall not be any remarkable stain, rust or crack on the appearances.

6.2 标示应该很容易辨识。

Marking shall be easily legible.

## 7. 机械特性 Mechanical characteristics

7.1 拉力强度试验 Tensile test

将保险丝固定好后，对保险丝两端引线施加 5N 的轴向拉力，持续 1 分钟。试验过后，保险丝没有任何破损现象。

Exert the axial pulling force of 5N to the both ends of lead wire for 1 minute. After the test the fuse shall be no damage and loosening.

7.2 扭力试验 Torsion test

将保险丝一端铜帽固定，然后在另一端铜帽顺时针和逆时针方向各施加 5N 扭力，试验过后，保险丝没有任何破损现象。

Fixing one cap of the fuse, the torsion 5N respectively applied to the other end cap clockwise and counterclockwise. After the test the fuse shall be no damage and loosening.

## 8. 电气特性 Electrical characteristics

8.1 实验条件 Test condition

所有测试环境温度为 25±5℃。

All electrical characteristics tests are conducted at an ambient temperature of 25±5℃.


8.2 分断能力 Interrupting Rating

10 安培在 125 伏交流电压条件下。

100 amperes at 125V AC.

100 安培在 250 伏交流电压条件下。

100 amperes at 250V AC.

 <b>泓达电子</b> <b>HONGDA ELECTRONIC</b>	<b>产品规格书</b> <b>PRODUCT SPECIFICATION</b>	版本号 EDITION NO.	A/1
		文件编号 FILE NO.	HD/E06301
	型号 MODEL: 63F/63FP	页码 PAGE	3/5

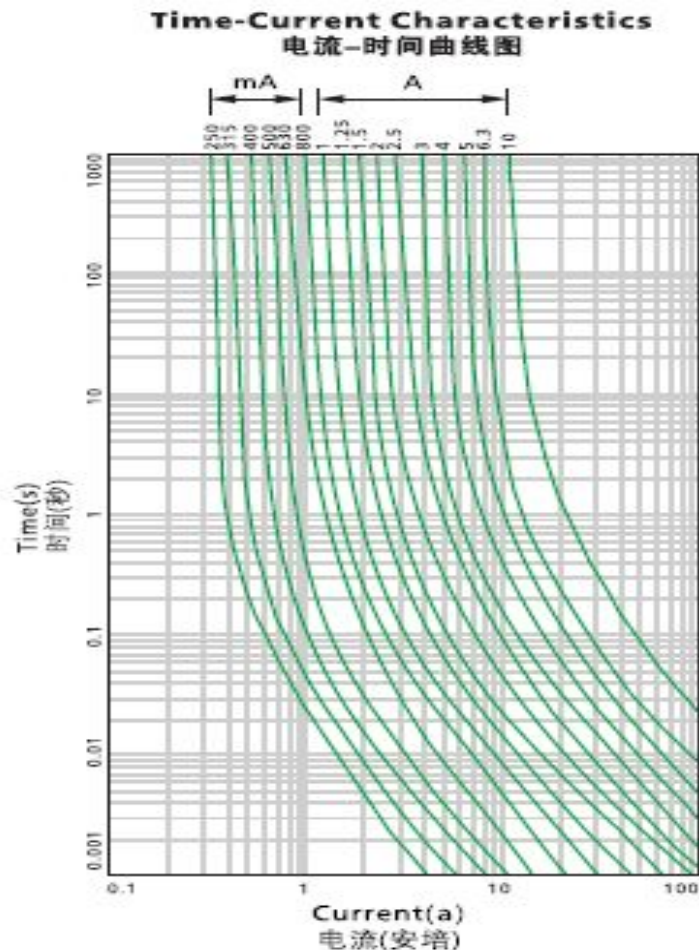
8.3 温度上升试验: 通 1.0 倍额定电流, 当温度稳定时 (5 分钟测量 4 次, 且每次测量值与平均值相差不超过 2℃)。测得熔断体任何部位的温升不得超过 75℃。

Temperature Rising Test: The fuse shall carry 1.0 times ampere rating until temperature stabilization occurs (Stabilization shall be considered to have occurred when no individual temperature rise reading of 4 consecutive readings taken at 5 minute intervals exceeds the average reading of these 4 readings by more than 2℃). The temperature rising on the fuse surface is not higher than 75℃.

#### 8.4 时间-电流特性 Time-Current Characteristics

额定电流的% % of ampere rating	熔断时间 Opening time
100%	4 hours Min.
135%	1 hours Max
200%	5 sec Max.

#### 8.5 时间电流曲线图&参考I<sup>2</sup>T Time-current curve&I<sup>2</sup>T



 <b>泓达电子</b> <b>HONGDA ELECTRONIC</b>	<b>产品规格书</b>		<b>版本号 EDITION NO.</b>	<b>A/1</b>
	<b>PRODUCT SPECIFICATION</b>		<b>文件编号 FILE NO.</b>	<b>HD/E06301</b>
	<b>型号 MODEL: 63F/63FP</b>		<b>页码 PAGE</b>	<b>4/5</b>

Rated Current (mA)_	50	63	80	100	125	160	200	250	315	350	400	500	630	800
I <sup>2</sup> T(A <sup>2</sup> .S)	0.002	0.004	0.006	0.008	0.011	0.017	0.024	0.037	0.054	0.071	0.11	0.26	0.59	1.05

Rated Current (A)_	1	1.25	1.6	2	2.5	3.15	3.5	4	5	6.3	7	8	10	12	15	20
I <sup>2</sup> T(A <sup>2</sup> .S)	1.98	1.70	3.11	4.19	7.59	14.1	21.8	28.5	39.7	107	248	309	468	634	950	1240

## 9. 安装方式及条件 / Installation way and parameters

### 9.1 焊接参数 Soldering parameters

9.1.1 波峰焊 260℃,最大10秒,

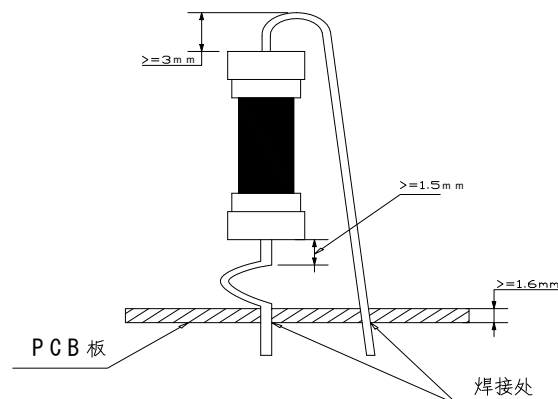
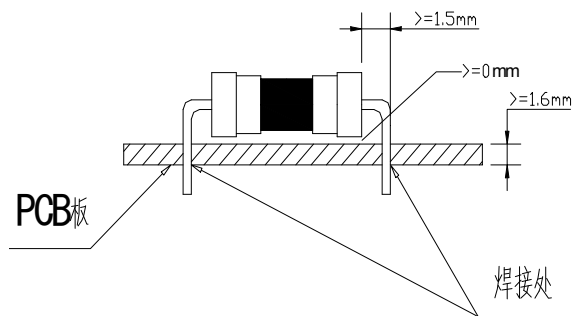
Wave soldering 260 °C,10 sec. Maximum


9.1.2 手工焊 350℃,最大5秒,

Manual soldering 350°C, 5 sec. Maximum

9.2 建议如下图安装方式安装, 并满足所需求的尺寸。

Propose that the following picture installation way is installed, and satisfied the required size.



 <b>泓达电子</b> <b>HONGDA ELECTRONIC</b>	<b>产品规格书</b>	<b>版本号 EDITION NO.</b>	<b>A/1</b>
	<b>PRODUCT SPECIFICATION</b>	<b>文件编号 FILE NO.</b>	<b>HD/E06301</b>
	<b>型号 MODEL: 63F/63FP</b>	<b>页码 PAGE</b>	<b>5/5</b>

## 10. 环境特性 Environmental characteristics

### 10.1 使用温度范围 Operating Temperature

-55℃ ~ 125℃。

### 10.2 保存条件 Storage Conditions

相对湿度 ≤ 75%，可存放 3 年。

Relative humidity ≤ 75%, store 3 years .

## 11. 包装 Packing

### 10.1 200PCS/小袋、10 小袋/内盒、10 内盒/外箱(实际装箱依客户订单)。

200 fuses per plastic bag, 10 plastic bags per inner box, 10 inner boxes per external carton.

(The actual case in accordance with the customer order)

### 10.3 产品符合 RoHS 环保指令。

The product is compliant with RoHS Directive.

## 12. 其他 Others

11-1 如果在使用中有超出本规格书的要求，心须经由双方协商确认。

In the event that an impropriety is found beyond this specification ,it shall be fixed by mutual agreement between the parties.

11-2 如果本规格书有不适当的情况，必须通过双方协商并由本公司修改。

In the event that an impropriety is found in this specification , HONGDA ELECTRONIC CO., LTD. shall amend it by mutual agreement between the parties.

附：承认书后附安规证书及环保报告

Appendix: The specification attached safety certificate and RoHS directive test report.