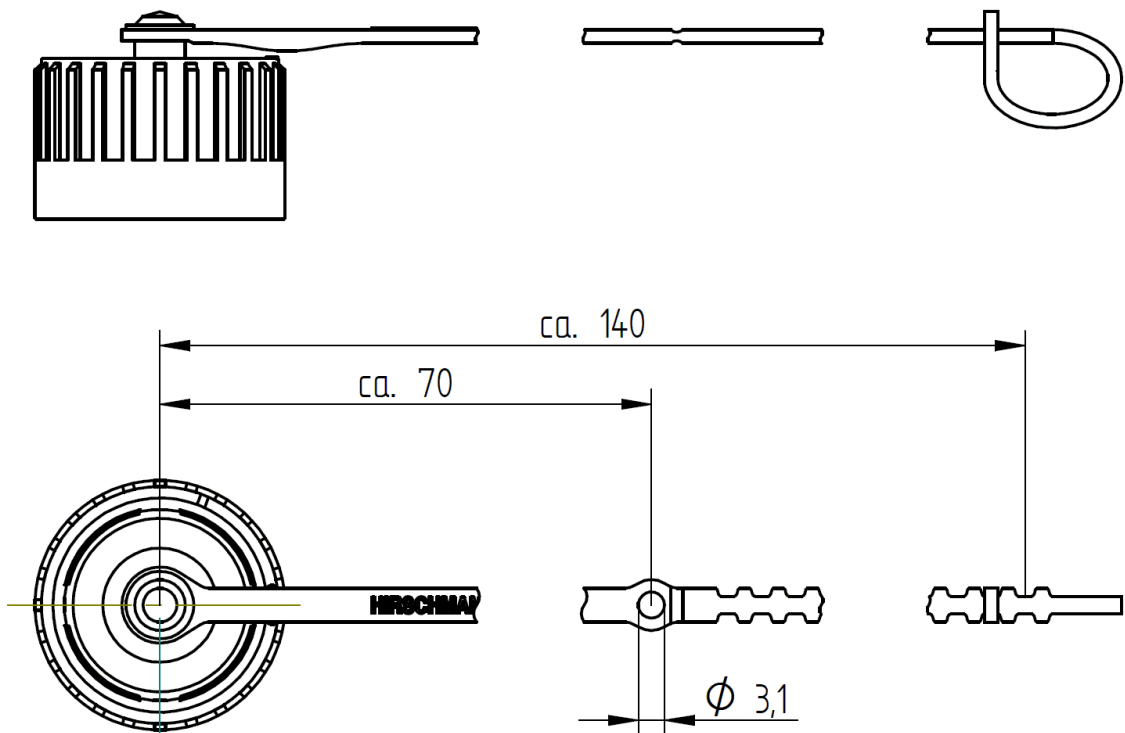
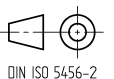


RoHS ✓



The information/details in this datasheet merely contain general descriptions or performance factors which, when applied in an actual situation, do not always correspond with the described form, and may be amended by way of the further development of products. The desired performance factors shall only be binding if these are expressly agreed on conclusion of the contract.



Product description

Description	protective cap
Type	CA 00 SD 1
Order No	831-530-400
Number of contacts	for 3 + PE and 6 + PE
Color housing	black

Technical data

Mounting	Rd 24 x 1/8"
----------	--------------

Materials

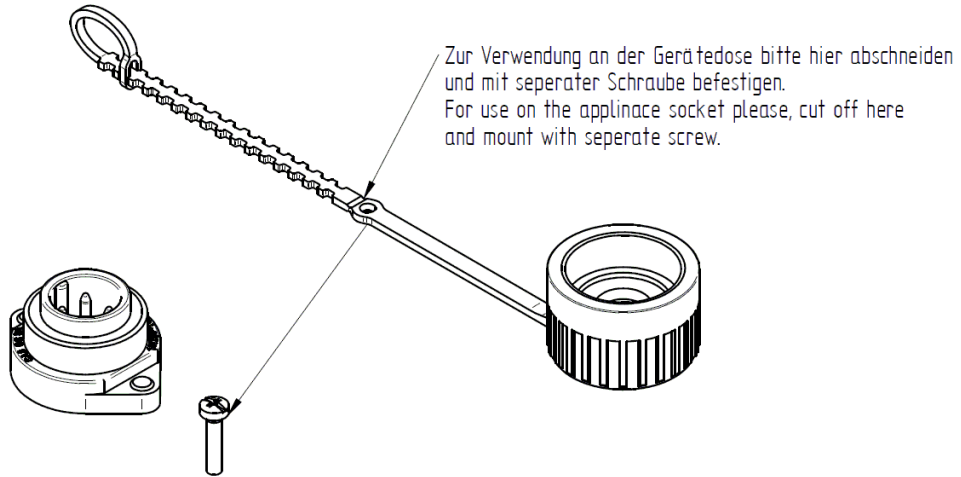
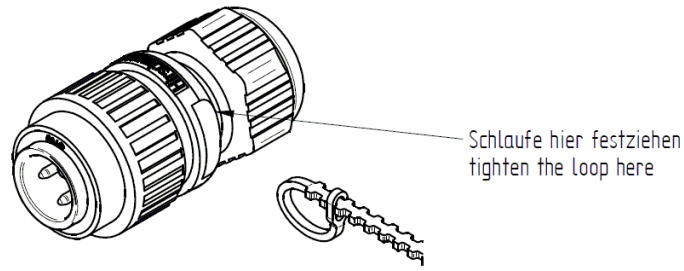
Cover	PA GF
Gasket(s)	NBR
Threaded ring	PA GF

Environmental conditions

Protection class (IEC 60529) *	IP65; IP67
Temperature range	-40°C to +90°C

Accessories

Mating connectors / fitting to	934-124-...: CA 3 LS, cable plug 934-126-...: CA 6 LS, cable plug 934-128-...: CA 3 W LS, cable plug angeled 934-130-...: CA 6 W LS, cable plug angeled 932-322-...: CA 3 GS, appliance plug 932-326-...: CA 6 GS, appliance plug
--------------------------------	--------------------------------------------------------------------------------------------------------------------------------------------------------------------------------------------------------------------------------------------------



product overview

Article-No.	Type
831-530-400	CA 00 SD 1