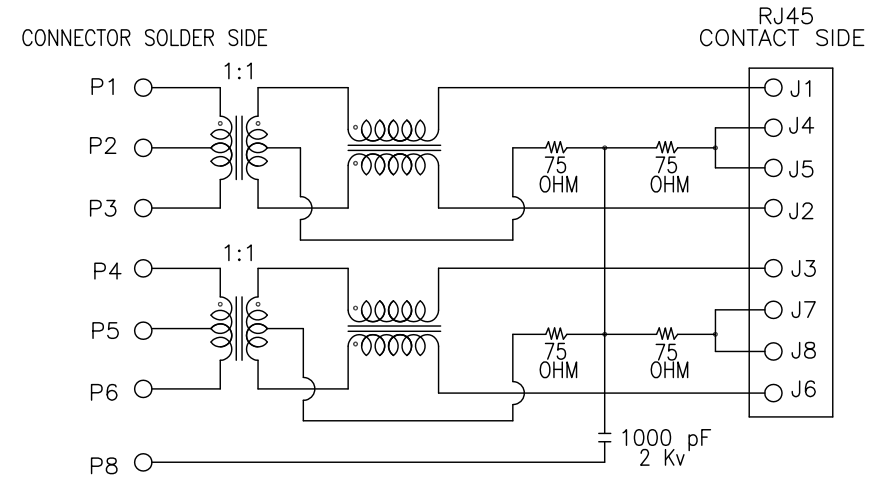


RoHS Compliance


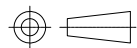
9801 TRANSFORMER TYPE 1

Specification :

Item	Parameter	Condition	Min.	Typ.	Max.	Unit	REMARK
1	Insertion loss	1-100 MHz			-1	dB	
2	Return loss	1-30 MHz	-20			dB	
		30-60 MHz	-15			dB	
		60-80 MHz	-12			dB	
3	Primary Inductance @100KHz, 0.1Vrms, 8mA DC BIAS	(J1-J2), (J3-J6)	350			uH	
4	Crosstalk	1-100 MHz	-35			dB	
5	Hipot	Vrms	1.5			kV	
6	COMMON MODE REJECTION	1-100 MHz	-35			dB	



CONNECTOR SCHEMATIC

THIS DRAWING IS A CONTROLLED DOCUMENT. DO NOT SCALE DRAWING.				 Sunny Young Enterprise Co., Ltd. 杉洋 http://www.sunnyyoung.com.tw			
DIMENSIONS: MM		TOLERANCES UNLESS OTHERWISE SPECIFIED:					
 THIRD ANGLE PROJECTION		0 PLC ± - 1 PLC ± - 2 PLC ± - 3 PLC ± - ANGLES ± -					
MATERIAL SEE NOTES		FINISH SEE NOTES		SIZE CAUGE CODE DRAWING NO			
DWN <i>A.HUANG</i>		DATE AUG-03-2015		A3 - T-9801-T1			
LTR		DESCRIPTION		DATE			
CHK <i>M.CHANG</i>		APVD		REV 2 SHEET 1			
APVD <i>W.J.YANG</i>		DATE AUG-04-2015		WEIGHT - GRAMS Ref.			

REVISIONS	DESCRIPTION	DATE	APVD