

# HF105F-4

# MINIATURE HIGH POWER RELAY



File No.:E134517



File No.:40025518 (DC type)



File No.:CQC09002031229(DC type)  
CQC10002049165(DC type)



## Features

- 40A switching capability
- 2.5kV dielectric strength  
(between coil and contacts)
- Heavy load up to 7200VA

## CONTACT DATA

Contact arrangement	1A	1B	1C (NO)	1C (NC)
Contact resistance <sup>1)</sup>	50mΩ max.(at 1A 24VDC)			
Contact material	AgSnO <sub>2</sub> , AgCdO			
Max. switching capacity	7200VA/560W	3600VA/280W	4800VA/560W	2400VA/280W
Max. switching voltage	277VAC/28VDC			
Max. switching current	40A <sup>2)</sup>	15A	20A	10A
Max.continuous current	≤25A			
HF105F-4 rating	30A 240VAC 20A 28VDC	15A 240VAC 10A 28VDC	20A 240VAC 20A 28VDC	10A 240VAC 10A 28VDC
HF105F-4L rating	25A 240VAC 20A 28VDC	15A 240VAC 10A 28VDC	20A 240VAC 20A 28VDC	10A 240VAC 10A 28VDC
Mechanical endurance	1 x 10 <sup>7</sup> OPS			
Electrical endurance	1H type(Non-plastic sealed): 1 x 10 <sup>5</sup> OPS (28A 277VAC, Resistive load, AgCdO, Room temp., 1s on 9s off)			

Notes:1) The data shown above are initial values.  
2) Long time current-carrying under 40A condition is prohibited.

## CHARACTERISTICS

Insulation resistance	1000MΩ (at 500VDC)	
Dielectric strength	Between coil & contacts	2500VAC 1min
	Between open contacts	1500VAC 1min
Operate time (at rated. volt.)	DC type: 15ms max.	
Release time (at rated. volt.)	DC type: 10ms max.	
Ambient temperature	DC: -55°C to 85°C AC: -55°C to 60°C	
Shock resistance	Functional	98m/s <sup>2</sup>
	Destructive	980m/s <sup>2</sup>
Vibration resistance	10Hz to 55Hz 1.5mm DA	
Humidity	5% to 85% RH	
Termination	QC	
Unit weight	Approx. 36g	
Construction	Plastic sealed, Dust protected	

Notes: 1) For plastic sealed type, the venting-hole should be opened in test.  
2) The data shown above are initial values.  
3) Please find coil temperature curve in the characteristic curves below.  
4) UL insulation system: Class F, Class B.

## COIL

Coil power	DC type: Approx. 900mW; AC type: Approx. 2VA
------------	---

## SAFETY APPROVAL RATINGS

UL/ CUL	1 Form A	AgSnO <sub>2</sub> AgCdO	30A 277VAC 40A 277VAC 2HP 250VAC 1HP 125VAC	
		AgCdO	30A 28VDC 28A 277VAC 277VAC(FLA=20)(LRA=60)	
	1 Form B	AgCdO	15A 277VAC 10A 28VDC 1/2HP 250VAC 1/4HP 125VAC 277VAC(FLA=10)(LRA=33)	
			AgSnO <sub>2</sub> AgCdO	30A 277VAC 2HP 250VAC 1HP 125VAC
	1 Form C	NO	AgCdO	20A 277VAC 20A 28VDC 277VAC(FLA=20)(LRA=60)
			AgSnO <sub>2</sub> AgCdO	20A 277VAC 1/2HP 250VAC 1/4HP 125VAC
	NC	AgCdO	10A 277VAC 10A 28VDC 277VAC(FLA=10)(LRA=33)	

Notes: 1) All values unspecified are at room temperature.  
2) Only typical loads are listed above. Other load specifications can be available upon request.



HONGFA RELAY

ISO9001, ISO/TS16949, ISO14001, OHSAS18001, IECQ QC 080000 CERTIFIED

2019 Rev. 1.00

## COIL DATA

at 23°C

### DC type

Nominal Voltage VDC	Pick-up Voltage VDC max. <sup>3)</sup>	Drop-out Voltage VDC min. <sup>3)</sup>	Max. Voltage VDC* <sup>4)</sup>	Coil Resistance Ω
5	3.75	0.5	6.5	27 x (1±10%)
6	4.50	0.6	7.8	40 x (1±10%)
9	6.75	0.9	11.7	97 x (1±10%)
12	9.00	1.2	15.6	155 x (1±10%)
15	11.25	1.5	19.5	256 x (1±10%)
18	13.50	1.8	23.4	380 x (1±10%)
24	18.00	2.4	31.2	660 x (1±10%)
48	36.00	4.8	62.4	2560 x (1±10%)
70	52.50	7.0	91	5500 x (1±10%)
110	82.50	11	143	13450 x (1±10%)

### AC type

Nominal Voltage VAC	Pick-up Voltage VAC max. <sup>3)</sup>	Drop-out Voltage VAC min. <sup>3)</sup>	Max. Voltage VDC* <sup>4)</sup>	Coil Resistance Ω
12	9.6	2.4	15.6	25 x (1±10%)
24	19.2	4.8	31.2	100 x (1±10%)
120	96.0	24.0	156	2500 x (1±10%)
208	166.4	41	270.4	11000 x (1±10%)
220	176	44	286	13490 x (1±10%)
240	192	48	286	13490 x (1±10%)
277	220	54	360.1	15000 x (1±10%)

- Notes:**
- 1) When requiring pick-up voltage < 80% of nominal voltage, special order allowed.
  - 2) The data shown above are initial values at 50Hz. When requiring 60Hz, special order allowed.
  - 3) The data shown above are initial values.
  - 4) \*Maximum voltage refers to the maximum voltage which relay coil could endure in a short period of time.

## ORDERING INFORMATION

Type		HF105F-4: 30A HF105F-4L: 25A	
Coil voltage		DC: 5VDC to 110VDC AC: 12VAC to 277VAC	
Coil voltage form		D: DC	A: AC
Coil terminal width		K: 4.8mm	Nil: 2.8mm
Contact arrangement		1H:1 Form A   1D:1 Form B   1Z:1 Form C	
Construction <sup>1)</sup>		S: Plastic sealed	Nil: Dust protected
Contact material		T: AgSnO <sub>2</sub>	Nil: AgCdO
Insulation standard		F: Class F	Nil: Class B
Special code <sup>3)</sup>		XXX: Customer special requirement	Nil: Standard

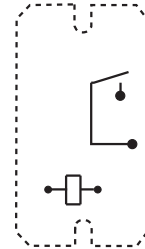
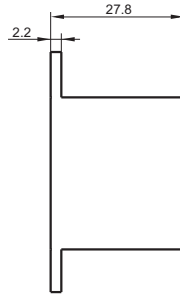
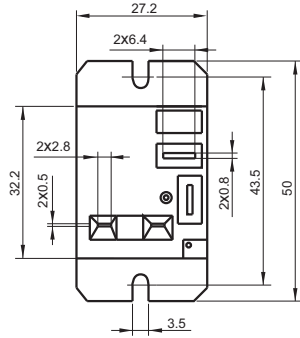
- Notes:**
- 1) We recommend dust protected types for a clean environment (free from contaminations like H<sub>2</sub>S, SO<sub>2</sub>, NO<sub>2</sub>, dust, etc.). We suggest to choose plastic sealed types and validate it in real application for an unclean environment (with contaminations like H<sub>2</sub>S, SO<sub>2</sub>, NO<sub>2</sub>, dust, etc.).
  - 2) Contact is recommended for suitable condition and specifications if water cleaning or surface process is involved in assembling relays on PCB.
  - 3) The customer special requirement express as special code after evaluating by Hongfa.

**1 Form A**

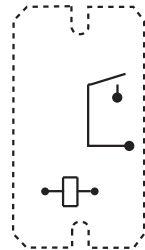
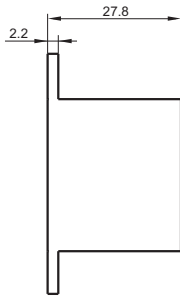
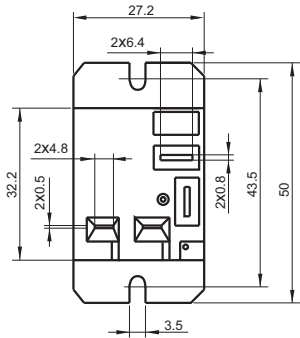
**Outline Dimensions**

**Wiring Diagram  
(Top view)**

2.8mm Terminal width

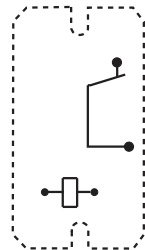
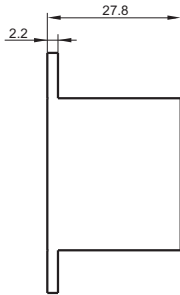
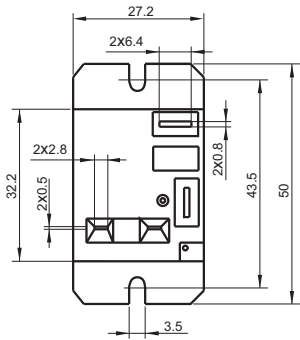


4.8mm Terminal width

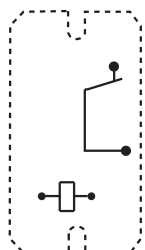
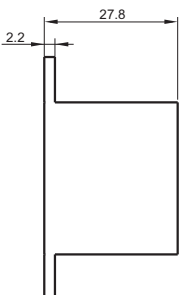
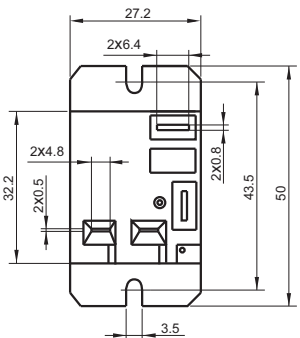


**1 Form B**

2.8mm Terminal width



4.8mm Terminal width



# OUTLINE DIMENSIONS, WIRING DIAGRAM AND PC BOARD LAYOUT

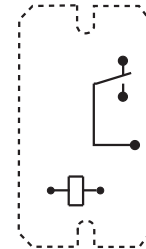
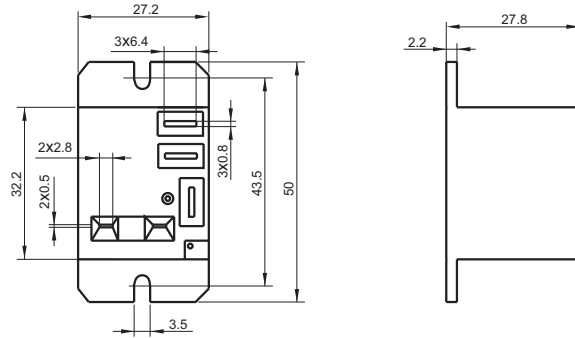
Unit: mm

## 1 Form C

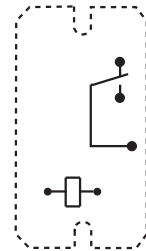
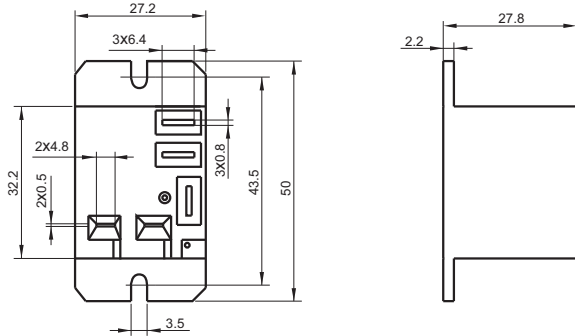
### Outline Dimensions

### Wiring Diagram (Top view)

#### 2.8mm Terminal width



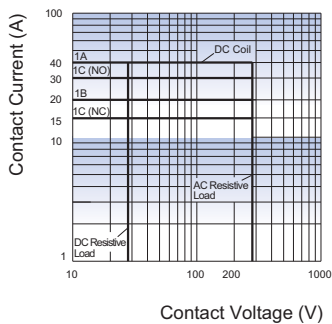
#### 4.8mm Terminal width



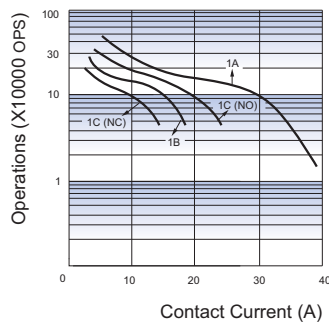
Remark: In case of no tolerance shown in outline dimension: outline dimension  $\leq 1\text{mm}$ , tolerance should be  $\pm 0.2\text{mm}$ ; outline dimension  $> 1\text{mm}$  and  $\leq 5\text{mm}$ , tolerance should be  $\pm 0.3\text{mm}$ ; outline dimension  $> 5\text{mm}$ , tolerance should be  $\pm 0.4\text{mm}$ .

## CHARACTERISTIC CURVES

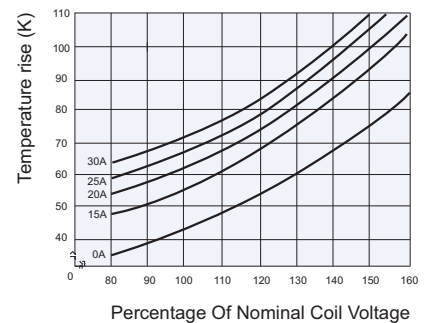
MAXIMUM SWITCHING POWER



ENDURANCE CURVE



COIL TEMPERATURE RISE



**Test conditions:**  
Resistive load, Dust protected,  
AgCdO, Room temp., 1s on 9s off.

### Disclaimer

The specification is for reference only. See to "Terminology and Guidelines" for more information. Specifications subject to change without notice. We could not evaluate all the performance and all the parameters for every possible application. Thus the user should be in a right position to choose the suitable product for their own application. If there is any query, please contact Hongfa for the technical service. However, it is the user's responsibility to determine which product should be used only.

© Xiamen Hongfa Electroacoustic Co., Ltd. All rights of Hongfa are reserved.