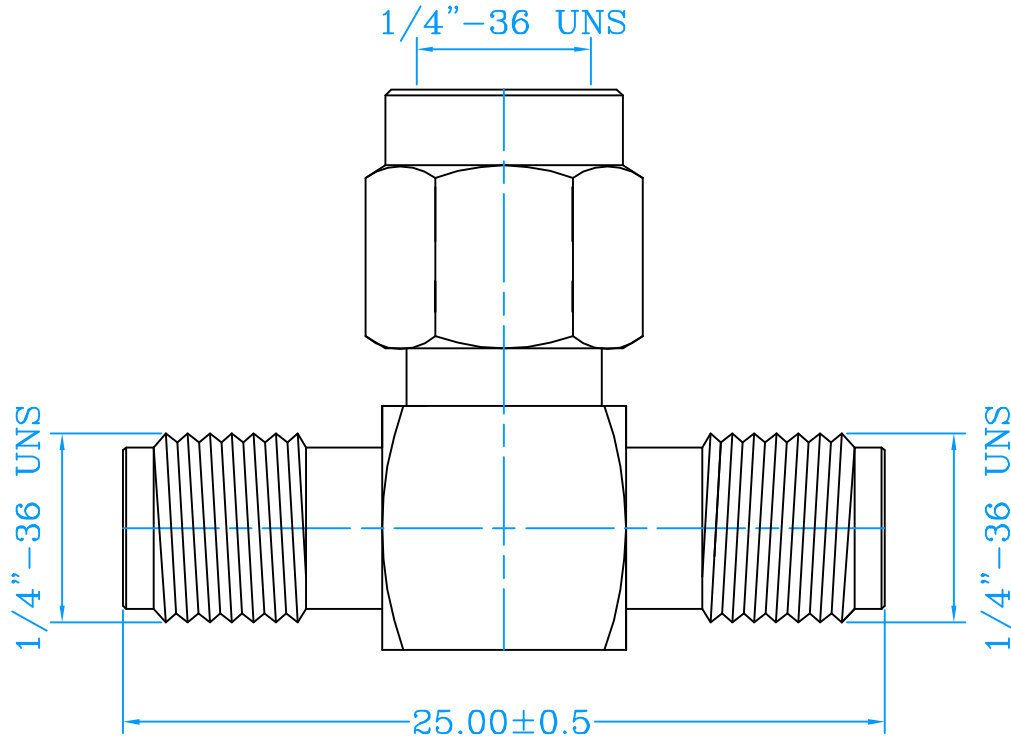


RoHS
Compliance



NO	Description	QTY	Material	Finish
3	Dielectric	1	Teflon	White
2	PIN	1	Brass	Gold
1	Body	1	Brass	Gold

UNLESS OTHERWISE SPECIFIED
 1.REMOVE ALL BURRS.
 2.BREAK ALL CONNERS & EDGES CO.15 MAX.
 3.CHAMFER 1ST & LAST THREADS 45°.
 4.DIAMETERS ON COMMON CENTERS.
 TO BE CONCENTRIC WITHIN 0.1 T.I.R.
 5.ALL DIMENSIONS ARE

*MAJOR DIMENSION			
UNLESS OTHERWISE NOTED TOLERANCES			
0.5-6	=±0.2		
6-30	=±0.4		
30-120	=±0.6		
120-315	=±1.0		
ANGLES=±1°			
SCALE	4/1	UNIT	MM

APPROVED
JOHN
 CHECKED
ALLAN
 DRAWN
CHRIS
 DRAWN DATE
12/Nov./19

KM ReMy Electronic Technology Inc.
 TITLE
SMA Jack-Plug-Jack T Adapter
 DRAWING NO. KM-011041
 REV
A