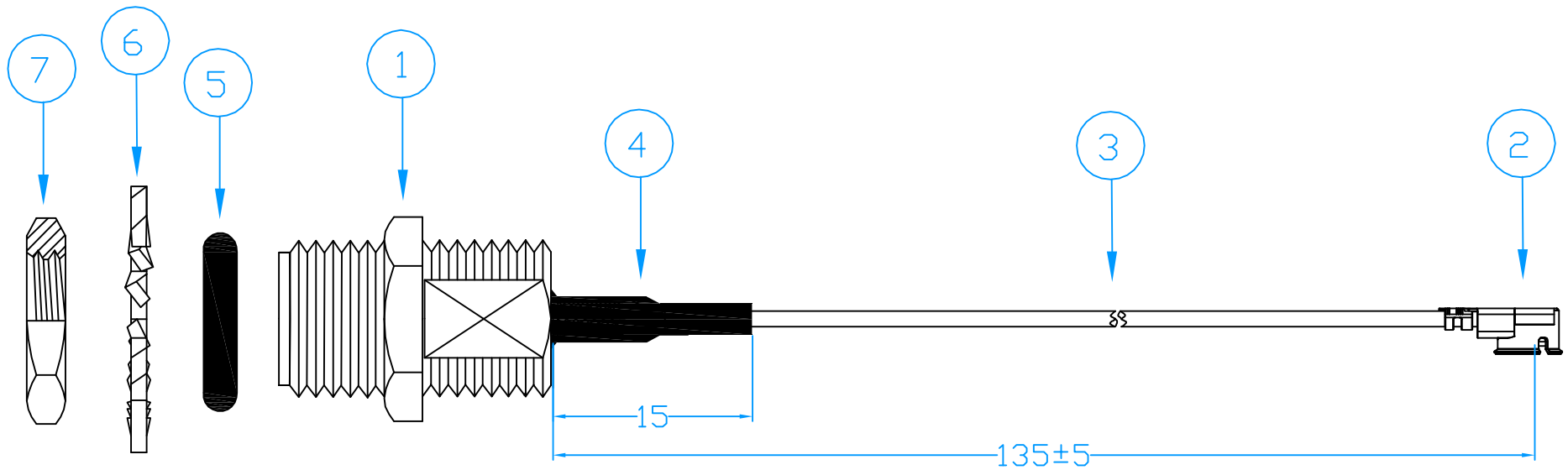


**RoHS**  
Compliance



7	Accessory	1	Nut
6	Accessory	1	Washer
5	Accessory	1	O-Ring
4	Heat Shrink Tube	1	Adhesive Tube
3	Cable	1	1.13MM
2	IPEX	1	20278-112R-13
1	SMA Female Jack	1	KM-011022E 5u" Gold
NO	Specification	QTY	Description

UNLESS OTHERWISE SPECIFIED 1.REMOVE ALL BURRS. 2.BREAK ALL CONNERS & EDGES CO.15 MAX. 3.CHAMFER 1ST & LAST THREADS 45°. 4.DIAMETERS ON COMMON CENTERS. 5.ALL DIMENSIONS ARE TO BE CONCENTRIC WITHIN 0.1 T.I.R.	*MAJOR DIMENSION		APPROVED JOHN	KeMy Electronic Technology Inc. TITLE SMA Female Jack-1.13mm-IPEX, L=135mm DRAWING NO. KM-022017E-0135
	UNLESS OTHERWISE NOTED TOLERANCES 0.5-6=±0.2 6-30=±0.4 30-120=±0.6 120-315=±1.0 ANGLES=±1°		CHECKED ALLAN	
SCALE 4/1	UNIT	MM	DRAWN SUSAN	13/07/03