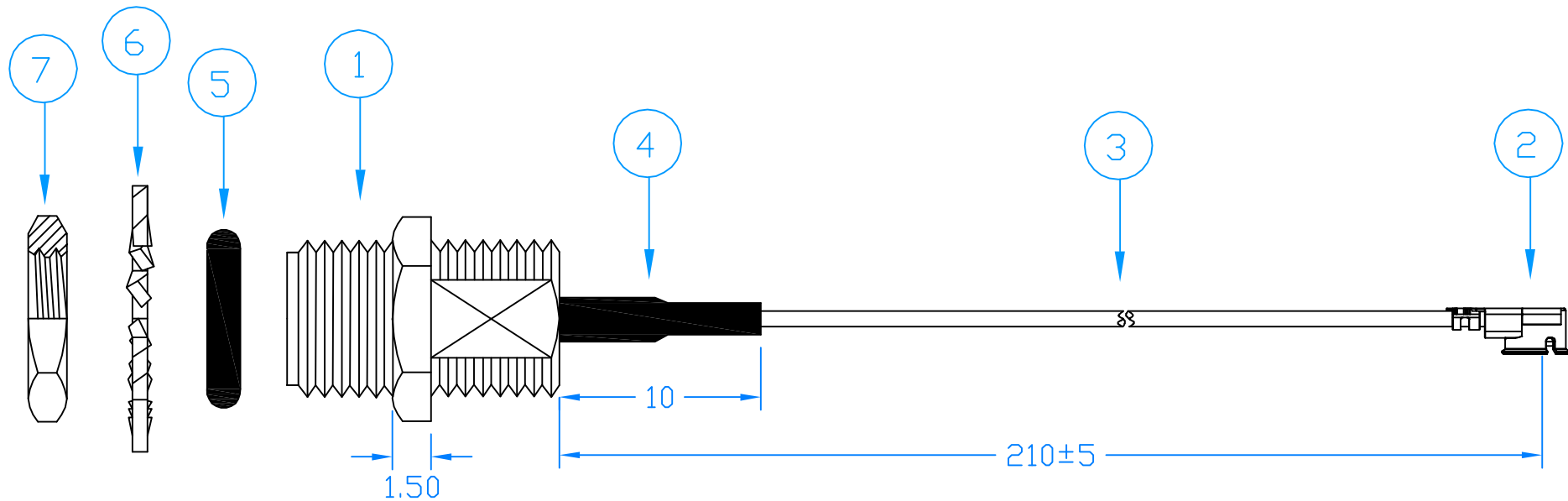


**RoHS**  
Compliance



7	Accessory	1	Nut
6	Accessory	1	Washer
5	Accessory	1	O-Ring
4	Heat Shrink Tube	1	Adhesive Tube
3	Cable	1	1.13MM
2	IPEX MHF Plug	1	20278-112R-13
1	SMA Female Jack	1	KM-011022E 5u" Gold
No.	Specification	QTY	Description

UNLESS OTHERWISE SPECIFIED			*MAJOR DIMENSION			APPROVED		KeMy Electronic Technology Inc.
UNLESS OTHERWISE NOTED TOLERANCES						JOHN		
						CHECKED		
						ALLAN		
						DRAWN		TITLE SMA Female Jack-1.13mm-IPEX, L=210mm
						SUSAN		
						DRAWN DATE		DRAWING NO. KM-022017E-0210
						2013/Dec./13		
						SCALE		REV
								B

8 7 6 5 4 3 2 1

E

E

D

D

C

C

B

B

A

A

8 7 6 5 4 3 2 1