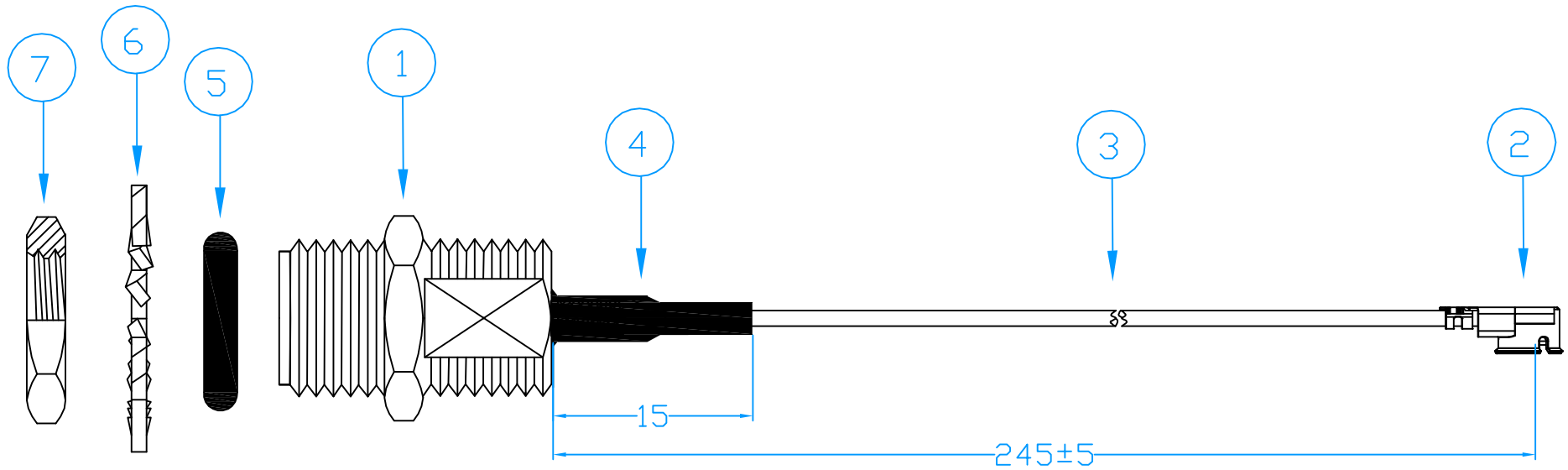


RoHS
Compliance



7	Accessory	1	Nut
6	Accessory	1	Washer
5	Accessory	1	O-Ring
4	Heat Shrink Tube	1	Adhesive Tube
3	Cable	1	1.13MM
2	IPEX	1	20278-111R-13
1	SMA Female Jack	1	KM-011022 Gold; 5u"
NO	Specification	QTY	Description

UNLESS OTHERWISE SPECIFIED 1.REMOVE ALL BURRS. 2.BREAK ALL CONNERS & EDGES CO.15 MAX. 3.CHAMFER 1ST & LAST THREADS 45°. 4.DIAMETERS ON COMMON CENTERS. TO BE CONCENTRIC WITHIN 0.1 T.P.R. 5.ALL DIMENSIONS ARE	*MAJOR DIMENSION UNLESS OTHERWISE NOTED TOLERANCES 0.5-6=±0.2 6-30=±0.4 30-120=±0.6 120-315=±1.0 ANGLES=±1°		APPROVED JOHN	TITLE SMA Female Jack-1.13mm-IPEX, L=245mm
	SCALE 4/1	UNIT MM	CHECKED ALLAN	
			DRAWN TONY	DRAWING NO. KM-022032
			DRAWN DATE 12/04/19	REV B 12/04/19

KM KeMy Electronic Technology Inc.