



## MI3216 SERIES ~ Multilayer Chip Suppressions /

### High Current Chip Beads



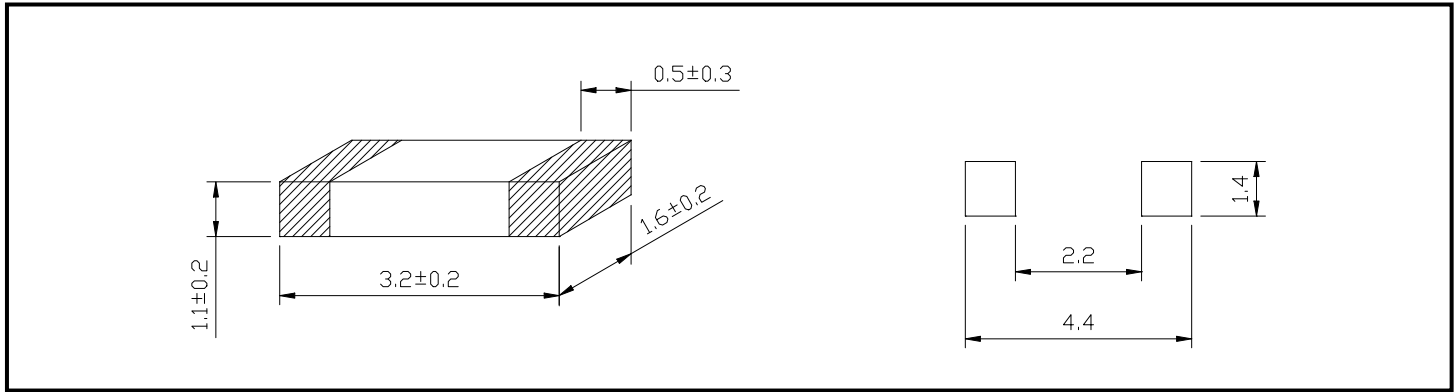
RoHS Compliant

#### PART NUMBERING SYSTEM

<u>MI</u>	<u>3216</u>	—	<u>301</u>	—	<u>3A</u>	—	<u>LF</u>
TYPE	DIMENSIONS		IMPEDANCE		DC CURRENT		LEAD FREE

#### SHAPES AND DIMENSIONS

UNIT : mm



#### SPECIFICATION TABLE

PART NUMBER	IMPEDANCE (Ω) at 100MHz	DCR (Ω) (Max.)	IDC (A) (Max.)
MI3216-190-3A-LF	19±25%	0.030	3.0
MI3216-310-3A-LF	31±25%	0.030	3.0
MI3216-310-6A-LF	31±25%	0.006	6.0
MI3216-520-3A-LF	52±25%	0.030	3.0
MI3216-520-6A-LF	52±25%	0.020	6.0
MI3216-700-3A-LF	70±25%	0.040	3.0
MI3216-800-4A-LF	80±25%	0.020	4.0
MI3216-101-3A-LF	100±25%	0.040	3.0
MI3216-121-5A-LF	120±25%	0.025	5.0
MI3216-151-5A-LF	150±25%	0.050	3.0
MI3216-301-3A-LF	300±25%	0.060	3.0
MI3216-501-2.5A-LF	500±25%	0.070	2.5
MI3216-601-2A-LF	600±25%	0.080	2.0
MI3216-102-1A-LF	1000±25%	0.300	1.0

- Test equipment : Agilent/HP-4291A impedance analyzer or equipment .
- Operating temperature range -55°C to +125°C , Electrical specifications at 25°C.

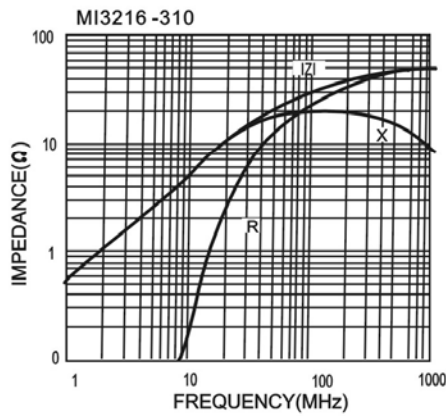
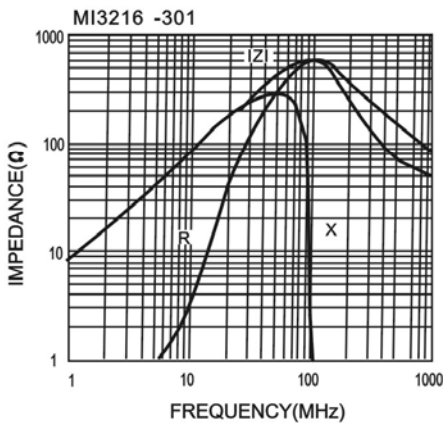
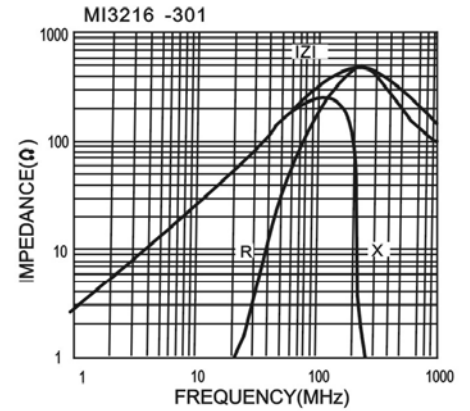
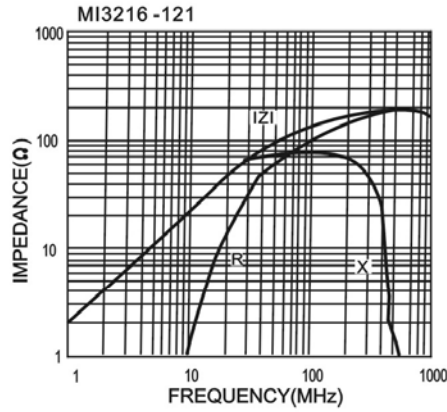
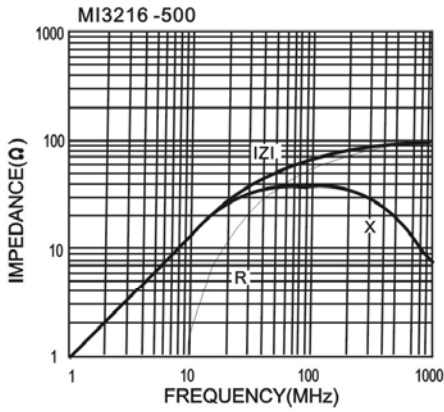


## MI3216 SERIES ~ Multilayer Chip Suppressions /

### High Current Chip Beads



RoHS Compliant





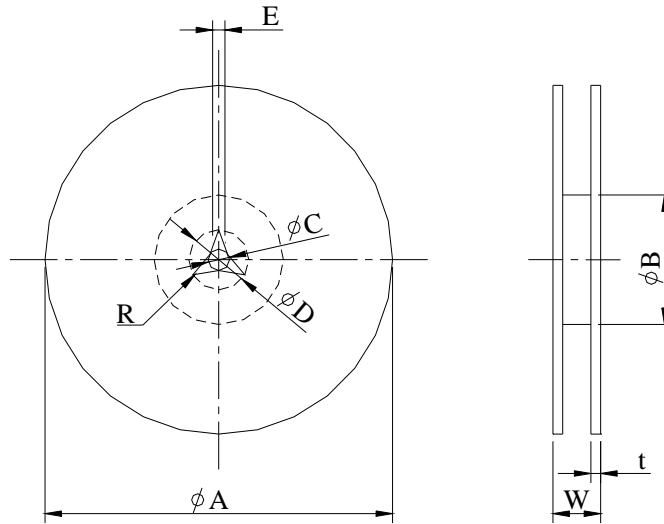
# MI3216 SERIES ~ Multilayer Chip Suppressions /

## High Current Chip Beads

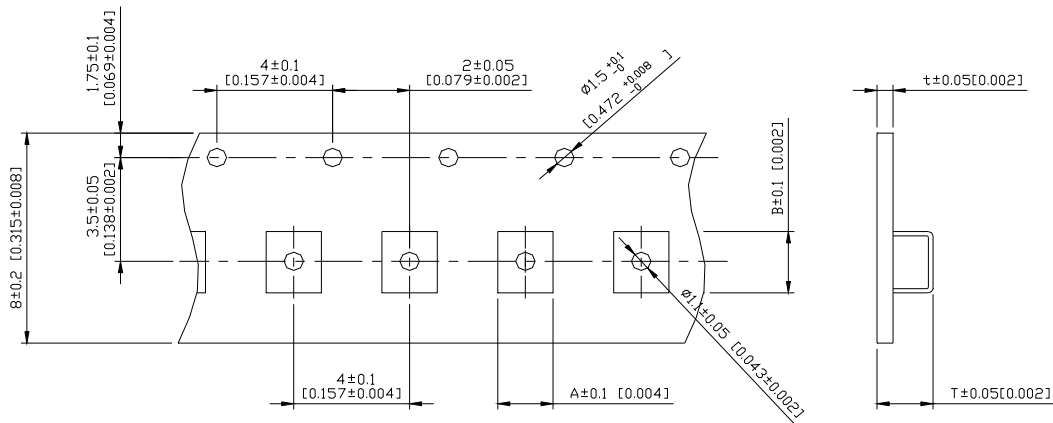
### PACKAGING SPECIFICATION



RoHS Compliant



	A	B	C	D	E	W8	W12	t	R
T( $\phi 178\text{mm}$ ) Reel	$\phi 178 \pm 2$	$\phi 60 \pm 1$	$\phi 13 \pm 0.8$	$\phi 21 \pm 0.8$	2	$10 \pm 1.5$	$14.5 \pm 1.5$	$1.27 \pm 0.2$	1



TYPE	A	B	T	t	T( $\phi 178\text{mm}$ )	T( $\phi 330\text{mm}$ )
3216	1.90	3.50	1.40	0.2	3000 pcs/reel	-