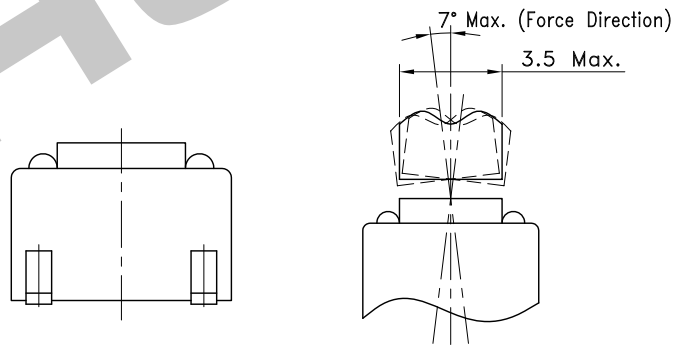
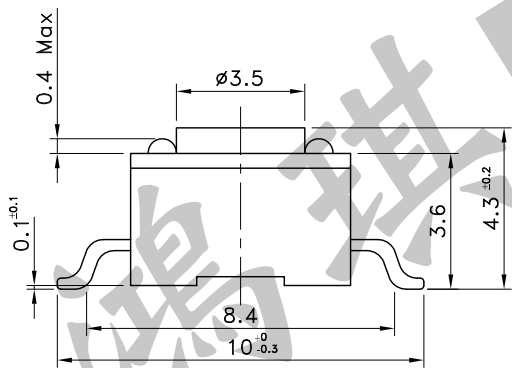
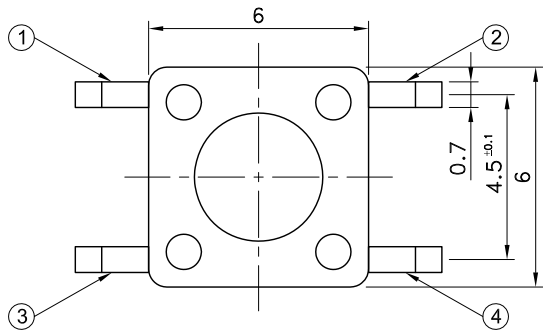
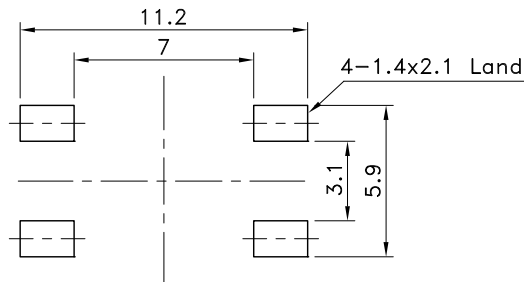


5	Contact	Stainless Steel	Ag Clad	
4	Terminal	Brass	Ag Plating	
3	Stem	PPA		UL 94HB, Yellow Green
2	Cover	Brass	Sn Plating	
1	Case	PPA		UL 94HB, Natural
NO.	Name	Material	Finish	Remarks

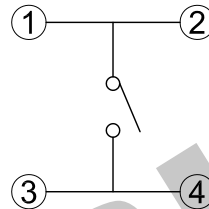


Set Maker Knob Size

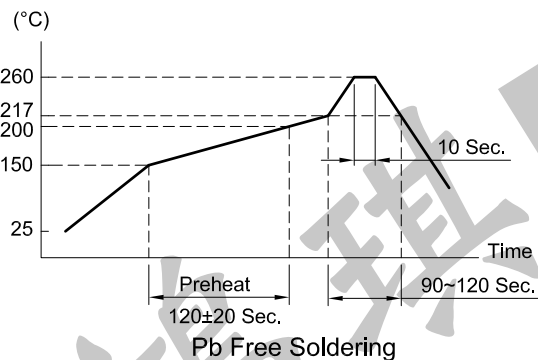
P.C.B TERMINAL POSITION



CIRCUIT ARRANGEMENT



REFLOW SOLDERING CONDITIONS

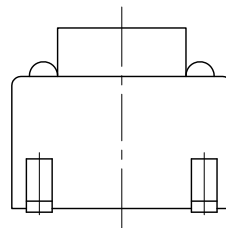
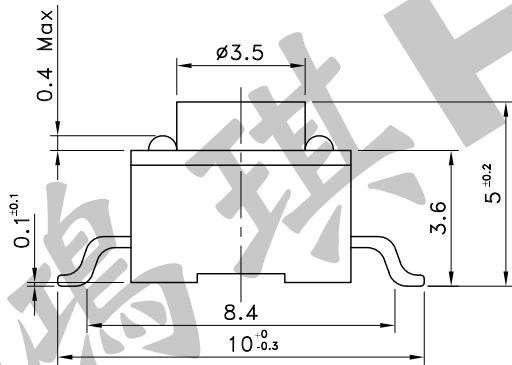
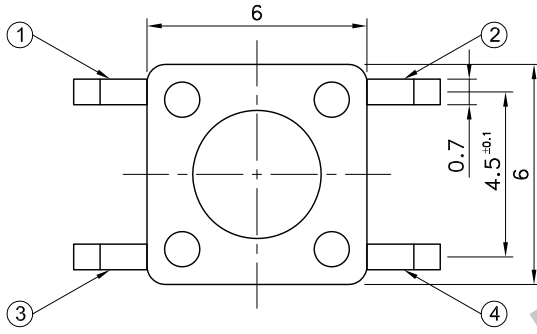


SPECIFICATIONS

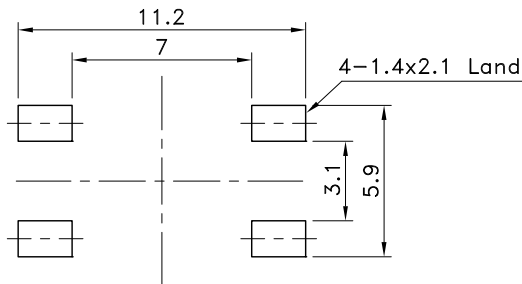
1. Rating : DC 12V 50mA
2. Contact Resistance : 100mΩ Max.
3. Insulation Resistance : 100MΩ Min. at DC 100V
4. Dielectric Strength : AC 250V for 1 Minute
5. Operating Force : 160±50gf
6. Stroke : 0.25 ±0.2 mm
7. Life : 1,000,000 Cycles
8. Package : 1,200 Pcs/Reel
9. Operating Temperature Range : -40~+85°C
10. Storage Temperature Range : -40~+85°C

REVISION:	DATE:	REVISION:	DATE:
UNIT:mm	THIRD ANGLE PROJECTION METHOD	TOL. UNLESS OTHERWISE STATED:±0.3	CODE NO.:HCH-146-11
ISSUED	CONFIRMED	PART NO.	
<i>John</i>	<i>Elvis</i>	HCH HORNG CHIH ISO9001 Certified ISO14001 Certified 鴻琪股份有限公司	
2017.09.26	2017.09.26		

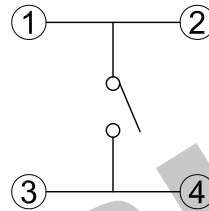
5	Contact	Stainless Steel	Ag Clad	
4	Terminal	Brass	Ag Plating	
3	Stem	PPA		UL 94HB, Yellow Green
2	Cover	Brass	Sn Plating	
1	Case	PPA		UL 94HB, Natural
NO.	Name	Material	Finish	Remarks



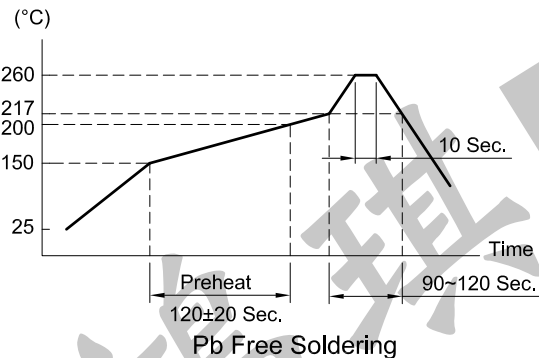
P.C.B TERMINAL POSITION



CIRCUIT ARRANGEMENT



REFLOW SOLDERING CONDITIONS

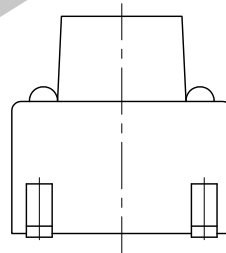
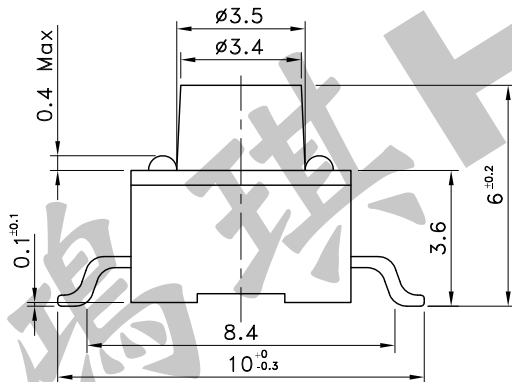
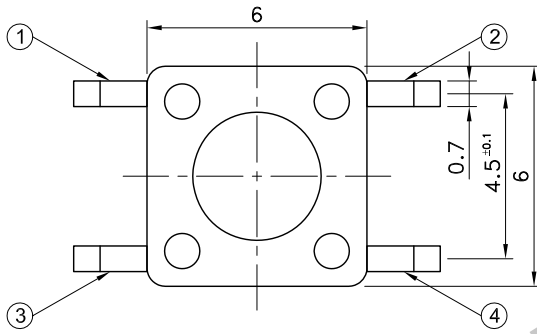


SPECIFICATIONS

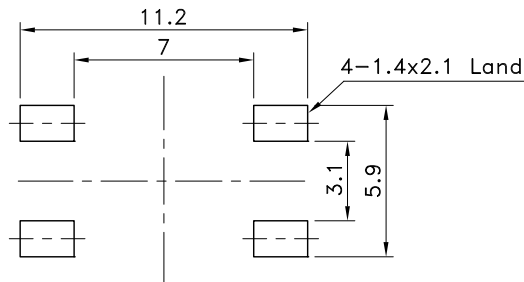
- Rating : DC 12V 50mA
- Contact Resistance : 100mΩ Max.
- Insulation Resistance : 100MΩ Min. at DC 100V
- Dielectric Strength : AC 250V for 1 Minute
- Operating Force : 160±50gf
- Stroke : 0.25^{+0.2}/_{-0.1}mm
- Life : 1,000,000 Cycles
- Package : 1,200 Pcs/Reel
- Operating Temperature Range : -40~+85°C
- Storage Temperature Range : -40~+85°C

REVISION:		DATE:		REVISION:		DATE:	
UNIT:mm	THIRD ANGLE PROJECTION METHOD	TOL. UNLESS OTHERWISE STATED:±0.3		CODE NO.:HCH-146-11			
ISSUED	CONFIRMED	HCH [®] ISO9001 Certified ISO14001 Certified 鴻琪股份有限公司		PART NO.			
John	Elvis			STS-B5			
2017.09.26	2017.09.26						

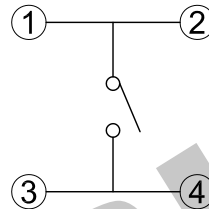
5	Contact	Stainless Steel	Ag Clad	
4	Terminal	Brass	Ag Plating	
3	Stem	PPA		UL 94HB, Yellow Green
2	Cover	Brass	Sn Plating	
1	Case	PPA		UL 94HB, Natural
NO.	Name	Material	Finish	Remarks



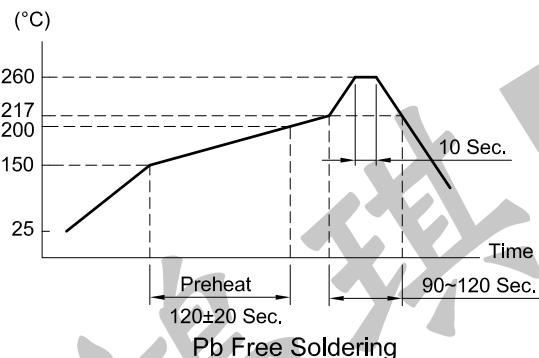
P.C.B TERMINAL POSITION



CIRCUIT ARRANGEMENT



REFLOW SOLDERING CONDITIONS



SPECIFICATIONS

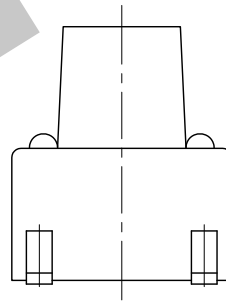
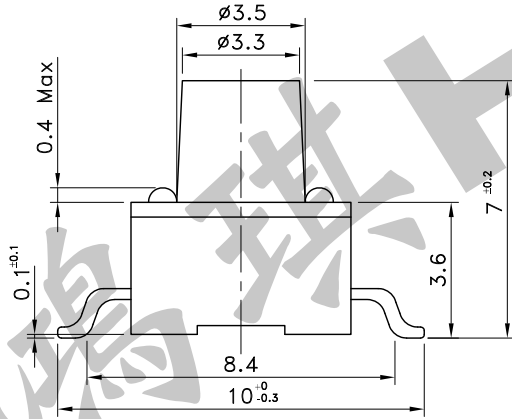
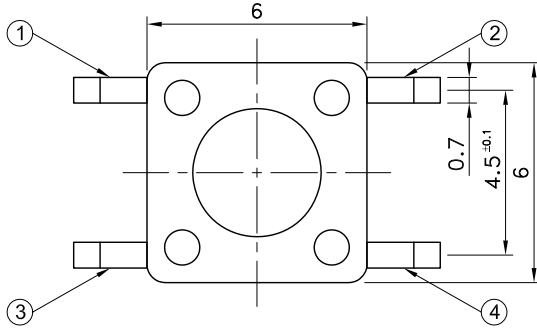
- 1. Rating : DC 12V 50mA
- 2. Contact Resistance : 100mΩ Max.
- 3. Insulation Resistance : 100MΩ Min. at DC 100V
- 4. Dielectric Strength : AC 250V for 1 Minute
- 5. Operating Force : 160±50gf
- 6. Stroke : 0.25^{+0.2}/_{-0.1}mm
- 7. Life : 1,000,000 Cycles
- 8. Package : 800 Pcs/Reel
- 9. Operating Temperature Range : -40~+85°C
- 10. Storage Temperature Range : -40~+85°C

REVISION:	DATE:	REVISION:	DATE:
-----------	-------	-----------	-------

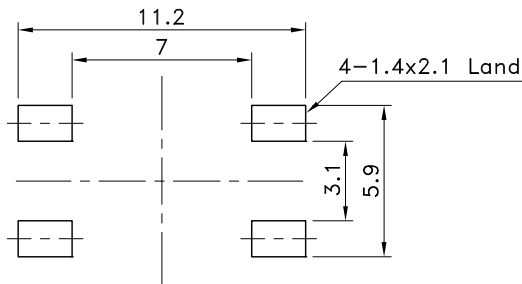
UNIT:mm	THIRD ANGLE PROJECTION METHOD	TOL. UNLESS OTHERWISE STATED:±0.3	CODE NO.:HCH-146-11
---------	-------------------------------	-----------------------------------	---------------------

ISSUED	CONFIRMED	HCH [®] ISO9001 Certified ISO14001 Certified HORNG CHIH 鴻琪股份有限公司	PART NO.
<i>John</i> 2017.09.26	<i>Elvis</i> 2017.09.26		STS-C5

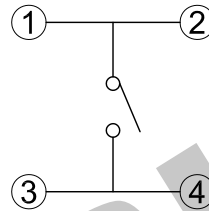
5	Contact	Stainless Steel	Ag Clad	
4	Terminal	Brass	Ag Plating	
3	Stem	PPA		UL 94HB, Yellow Green
2	Cover	Brass	Sn Plating	
1	Case	PPA		UL 94HB, Natural
NO.	Name	Material	Finish	Remarks



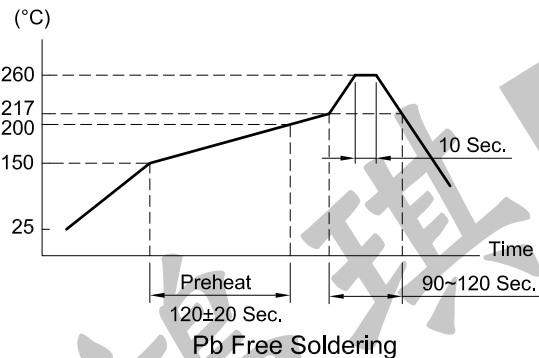
P.C.B TERMINAL POSITION



CIRCUIT ARRANGEMENT



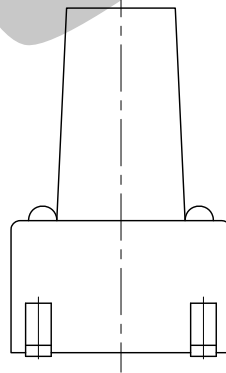
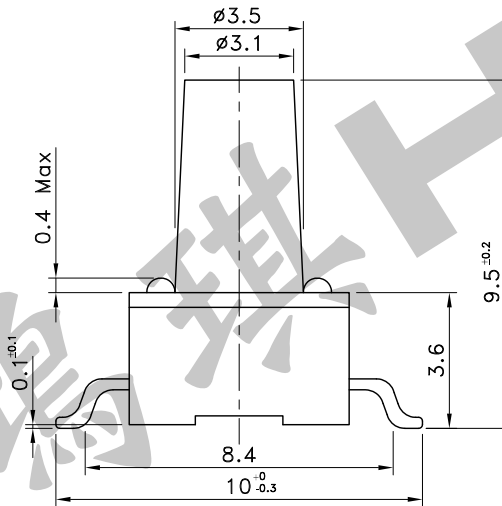
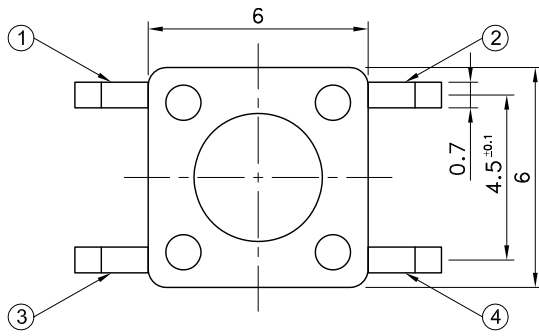
REFLOW SOLDERING CONDITIONS



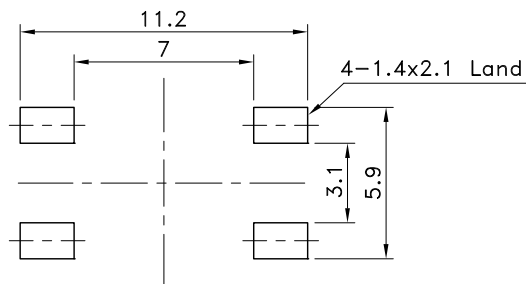
SPECIFICATIONS

1. Rating : DC 12V 50mA
2. Contact Resistance : 100mΩ Max.
3. Insulation Resistance : 100MΩ Min. at DC 100V
4. Dielectric Strength : AC 250V for 1 Minute
5. Operating Force : 160±50gf
6. Stroke : 0.25^{+0.2}/_{-0.1}mm
7. Life : 1,000,000 Cycles
8. Package : 750 Pcs/Reel
9. Operating Temperature Range : -40~+85°C
10. Storage Temperature Range : -40~+85°C

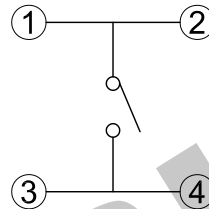
REVISION:		DATE:		REVISION:		DATE:	
UNIT:mm		THIRD ANGLE PROJECTION METHOD		TOL. UNLESS OTHERWISE STATED:±0.3		CODE NO.:HCH-146-11	
ISSUED		CONFIRMED		PART NO.		STS-D5	
 2017.09.26		 2017.09.26		 HORNG CHIH 鴻琪股份有限公司			



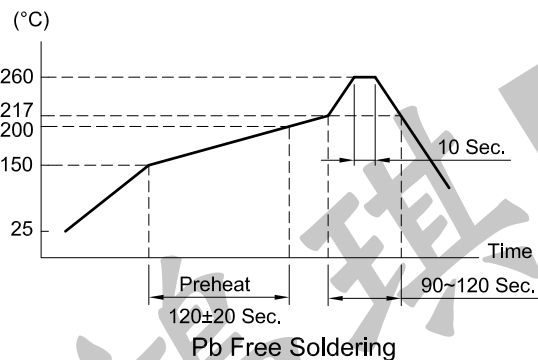
P.C.B TERMINAL POSITION



CIRCUIT ARRANGEMENT



REFLOW SOLDERING CONDITIONS



SPECIFICATIONS

- 1. Rating : DC 12V 50mA
- 2. Contact Resistance : 100mΩ Max.
- 3. Insulation Resistance : 100MΩ Min. at DC 100V
- 4. Dielectric Strength : AC 250V for 1 Minute
- 5. Operating Force : 160±50gf
- 6. Stroke : 0.25 ± 0.1 mm
- 7. Life : 100,000 Cycles
- 8. Package : 500 Pcs/Reel
- 9. Operation Temperature Range : -20~70°C

REVISION:		DATE:		REVISION:		DATE:	
UNIT:mm		THIRD ANGLE PROJECTION METHOD		TOL. UNLESS OTHERWISE STATED:±0.3		CODE NO.:HCH-146-10	
ISSUED		CONFIRMED		PART NO.			
 2016.12.15		 2016.12.15		 HORNG CHIH 鴻琪股份有限公司		STS-E5	