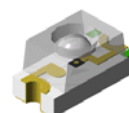


1206 SMD LED Small View Angle

VS 6278

Description

This lens construction of this series is different from other Flat type of SMD LED. Within the lens itself, there is an additional lens construction for better focusing of light output. Thus, increase the luminous intensity. The dice used in this series is InGaN material. The advantages of InGaN material are low power consumption and obtaining high luminous intensity. The wavelengths and luminous Intensities of this series are grouped under 20mA condition for uniformity.




Applications

- Industrial control systems signal indicator
- Automotive features
- Front panel indicator
- Status indication



Electronic Optical Characteristics (at 20mA):

Part Number	Emitted Color	λ (nm)		Lens Color	Iv(mcd)		View Angle	VF(V)	
		λd	λp		Min.	Typ.		Typ.	Max.
VS 6278	Blue 	470	468	Clear	100	150	60	3.5	3.8

Absolute Maximum Ratings (at Ta=25°C)

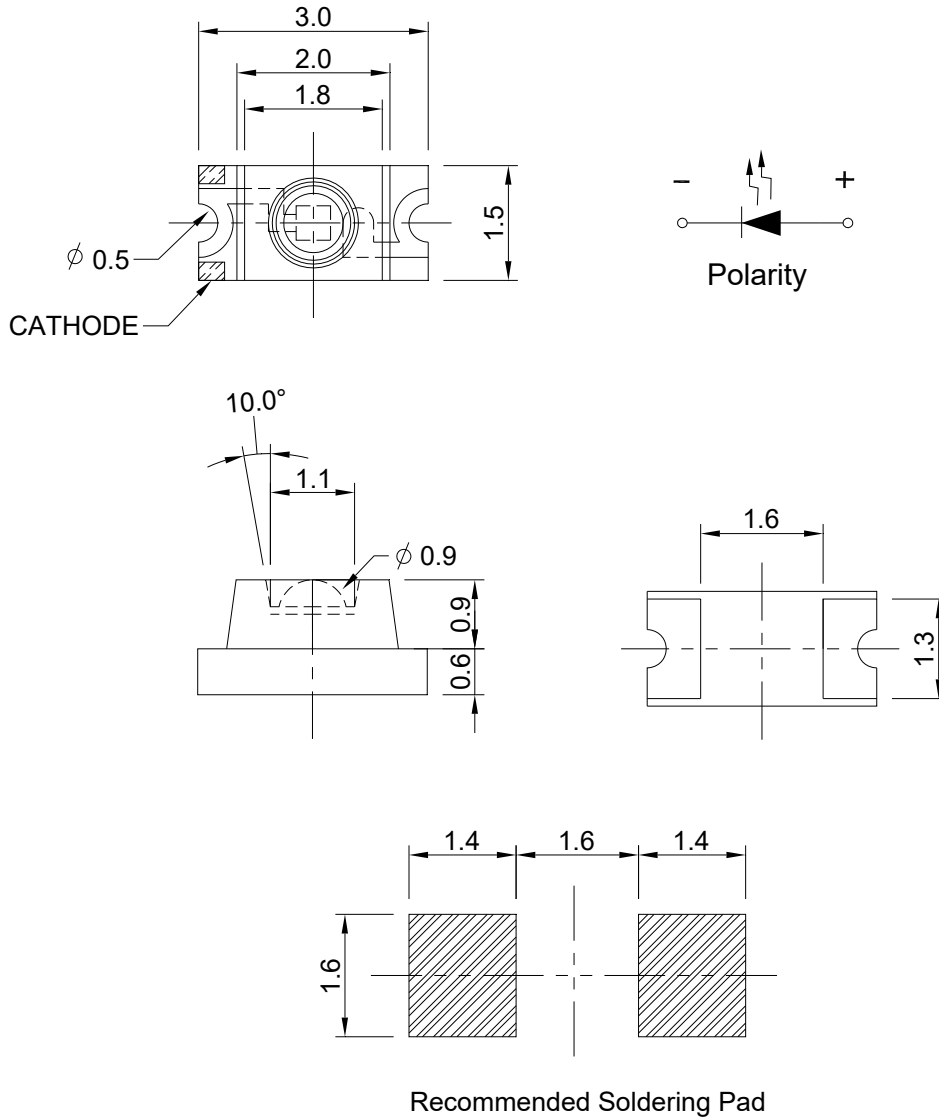
P _D (mW)	I _{FP} (mA)	I _F (mA)	Iron Solder(°C)	I _R (uA)@V _R =5V	Topr(°C)	Tstg(°C)
95	100*	25	350 ± 5 for 3 sec.	50	-40~+85	-40~+100

Note: Please take note the Absolute Maximum Rating values. Any operation beyond the specify ratings in this table will result degradation of LED life-span and may cause LED to fail.

* I_{FP}: Peak Forward Current under 1/10 duty, 1KHz condition

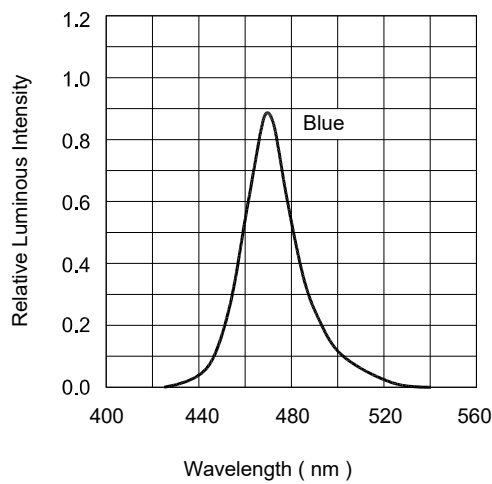
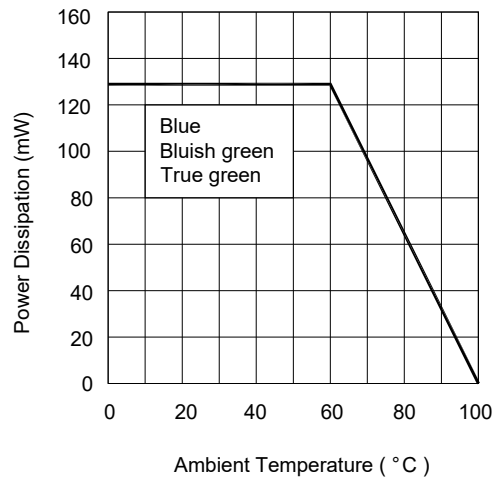
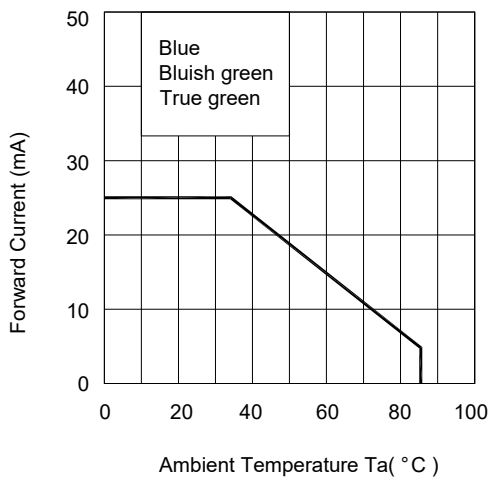
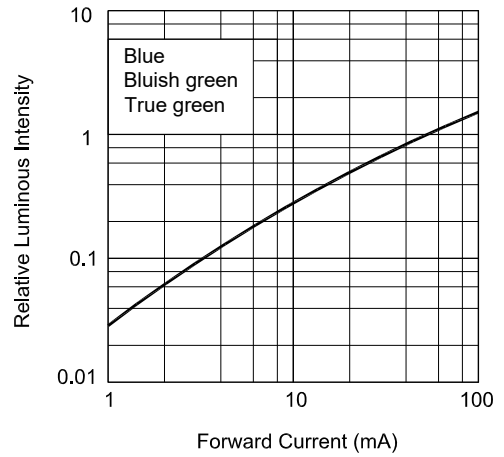
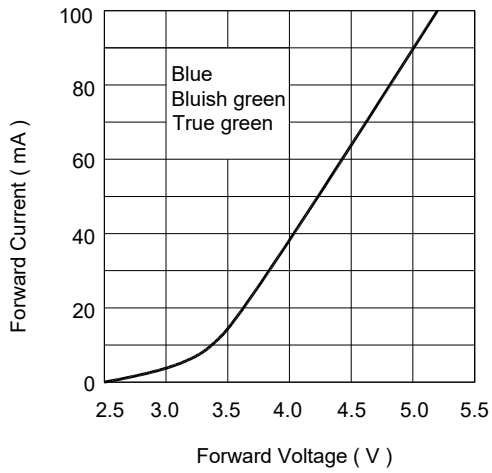
Package Dimension:

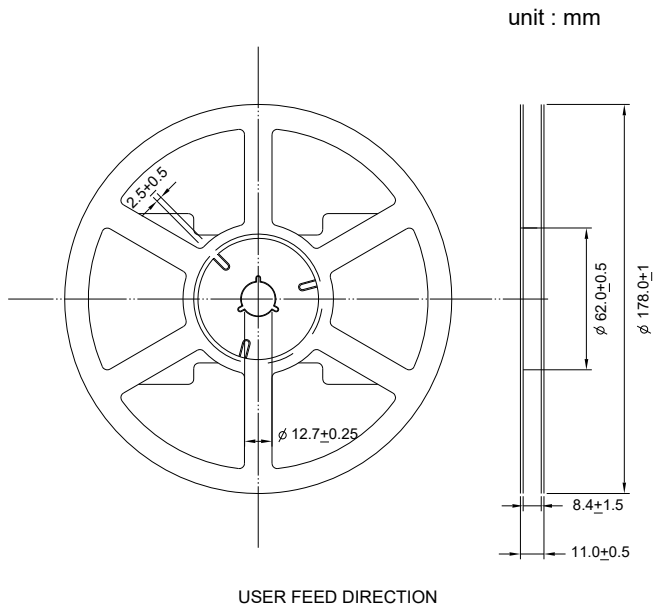
unit:mm


Notes:

1. All dimensions are millimeters.
2. Tolerance is ± 0.2 mm unless otherwise specified.
3. Specifications are subject to change without notice.

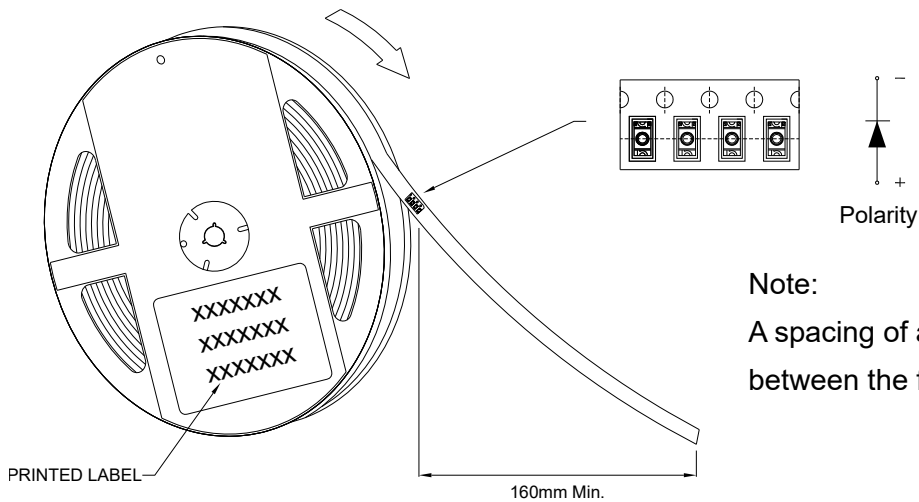
Optical Characteristics Curves



Reel Dimension:


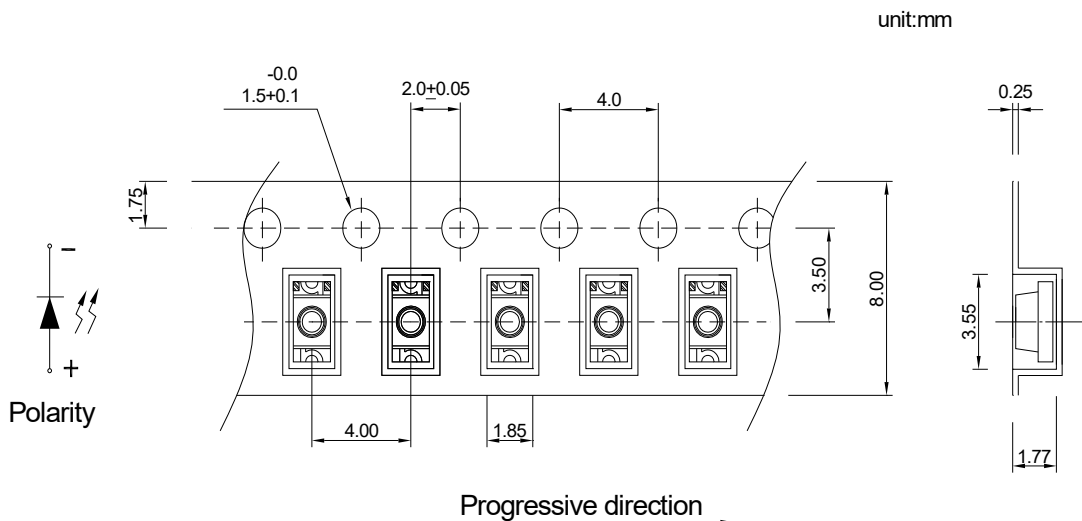
Note:

Available in 8mm carrier tape on 178mm diameter reels. (2000 pieces)

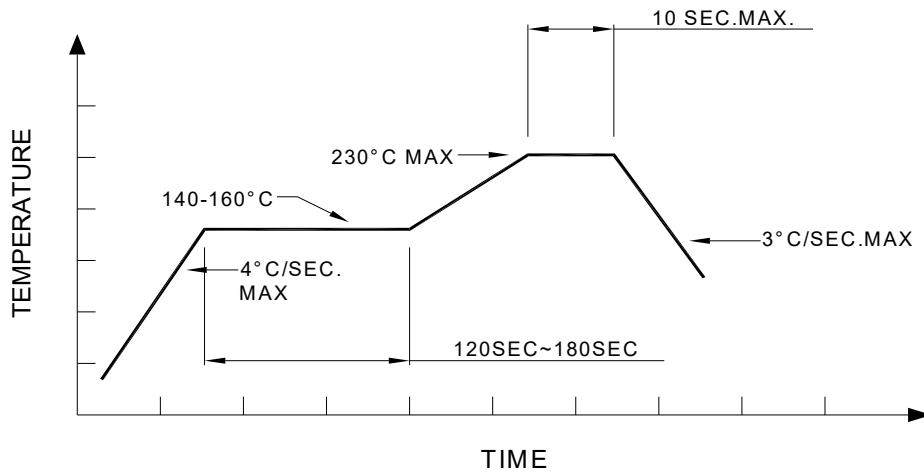


Note:

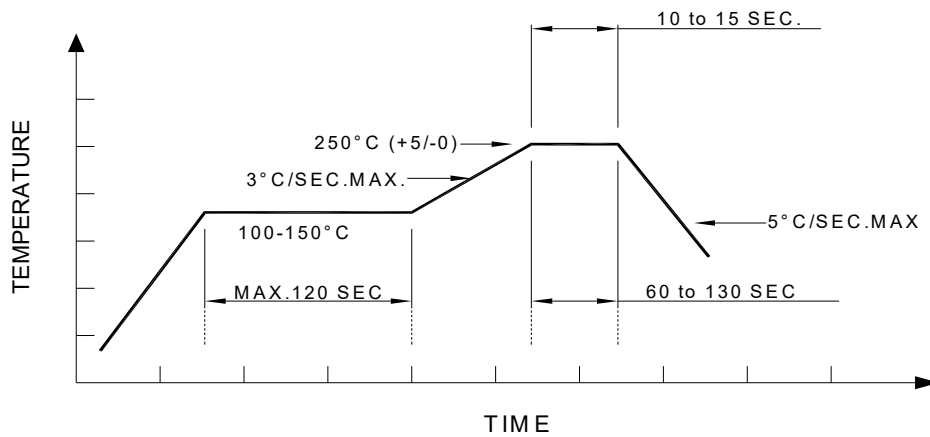
A spacing of approximately 160mm between the front edge of tape

Tape Dimension:


Recommended re-flow soldering profile:



Recommended Pb-free re-flow soldering profile:



Note:

All the specifications listed in this data sheet are suitable for general electronic equipment, office equipment and communication devices. Kindly consult Sales Representatives for specific reliabilities request, Forward Voltage, Luminous Intensity, Wavelength, Radiant Power or Viewing Angle.