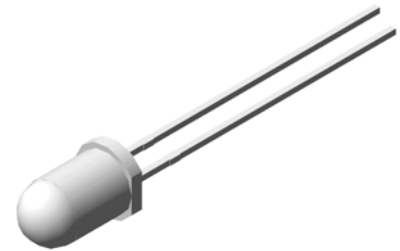


5mm Round Super Bright LED

VT 5W28.56

Description

These series high brightness WHITE emitting LED are made from the most efficient InGaN technology. Its chip material is of InGaN technology, able to reach high light output efficiency. These series of LED come in moisture resistance water clear lens while offering 15 degree viewing angles. The most suitable for traffic light signal application.



Applications

- Lighting indicator
- Status lights
- ON/OFF indicator
- Backlight illumination



Electronic Optical Characteristics (at 20mA):

Part Number	Emitted Color	C.C		Lens Color	Iv(mcd)		View Angle	VF(V)	
		X	Y		Min.	Typ.		Typ.	Max.
VT 5W28.56	White	0.30	0.29	Clear	11200	14250	15	3.5	3.8

Absolute Maximum Ratings (at Ta=25°C)

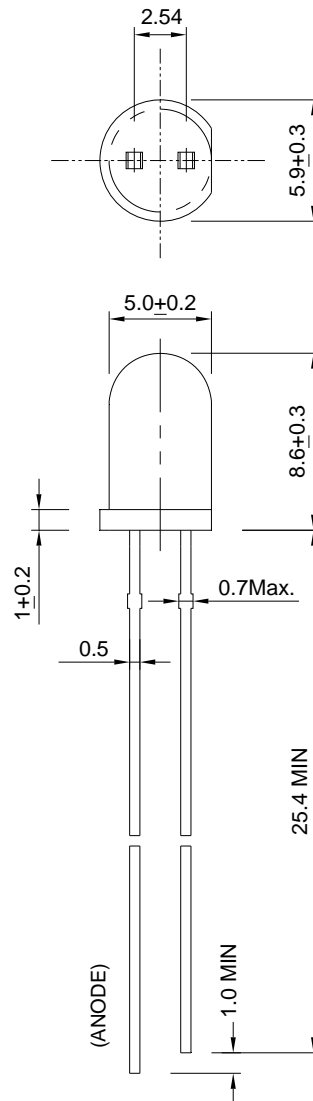
P _D (mW)	I _{FP} (mA)	I _F (mA)	T _{sol} (°C)	I _R (uA)@V _R =5V	T _{opr} (°C)	T _{stg} (°C)
120	100*	30	260±5 for 5 sec	50	-40~+85	-40+100

Note: Please take note the Absolute Maximum Rating values. Any operation beyond the specified ratings in this table will result degradation of LED life-span and may cause LED to fail.

* I_{FP}: Peak Forward Current under 1/10 duty, 1KHz condition

Package Dimension:

unit: mm

**Notes:**

1. All dimensions are millimeters.
2. Dimensional tolerance is ± 0.2 mm unless otherwise specified.
3. Epoxy meniscus under flange is 1.5 mm max.
4. Specifications are subject to change without notice.