

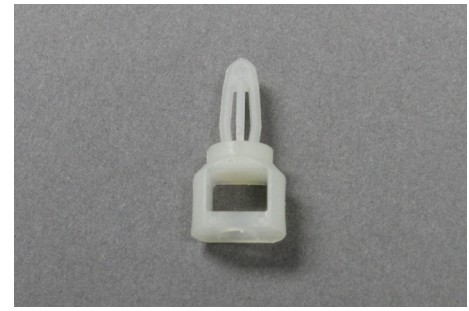
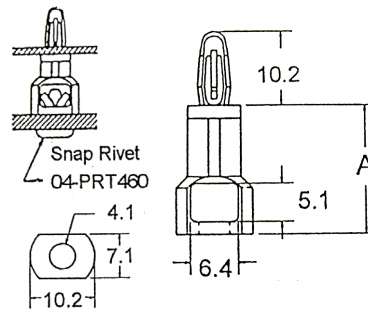
PCB Supports - Rivet Mount Type

To minimise hole size in panel • Neat rivet head for outer panel • Nylon 6/6

Mount with 4mm Rivet e.g. 04-PRT460B

Part Number	Spacing A 1.5mm PCB
05-PTR10	9.5
05-PTR13	12.7
05-PTR16	15.9

Mounting Holes
PCB 4.0mm
Panel 4.0mm

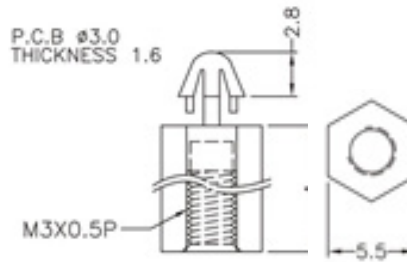


PCB Supports - Screw Mount Types - Female Self Threading

PME Series

Part Number	Spacing A 1.5mm PCB
05-PME05T	5.0

Mounting Holes
PCB 3.0mm



PCB Supports - Screw Mount Types

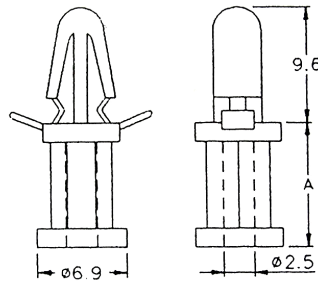
PBU Series - Female Self Threading - M3 Screw

Firm grip locking clip for PCB

Part Number	Spacing A 1.5mm PCB
05-PBU05	5.0
05-PBU07	7.0
05-PBU10	10.0
05-PBU15	15.0
05-PBU20	20.0
05-PBU25	25.0
05-PBU35	30.0

Mounting Holes
PCB 4.0mm
Panel 3.0mm

M3 Screw Clearance



PBX Series - Female Self Threading - #6 Self Tap Screw

Firm grip locking clip for PCB

Part Number	Spacing A 1.5mm PCB
05-PBX06	6.5
05-PBX10	10.1
05-PBX13	13.2
05-PBX19	19.6
05-PBX28	29.0
05-PBX35	35.5

Mounting Holes
PCB 4.0mm
Panel 3.6mm

Clearance for #6 Self Tapper

Screw Hole Depth

PBX06 4.5mm
PBX10 5.0mm
Others 8.0mm

