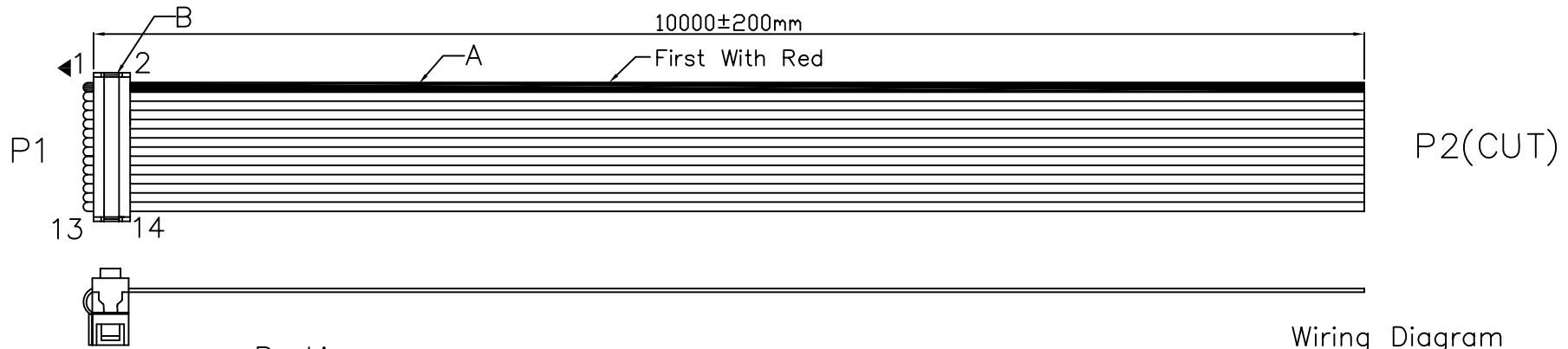
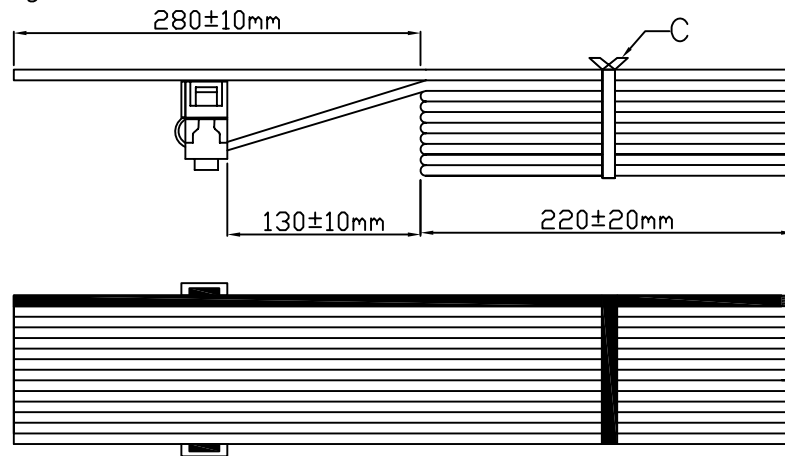


REV.	LOCAS.	DESCRIPTION	DATE	DRAWN
01	NEW	INITIAL RELEASE.	2014.08.07	Aydin



Packing



Wiring Diagram

P1		P2
1	Red	CUT
2	Grey	CUT
3	Grey	CUT
4	Grey	CUT
5	Grey	CUT
6	Grey	CUT
7	Grey	CUT
..	Grey	CUT
..	Grey	CUT
..	Grey	CUT
14	Grey	CUT

APPROVED

By Chris Harris at 11:03 am, Aug 08, 2014

Electrical Test:

- 1.100%Testing:open/Short/Mistake Wire
- 2.Contact Resistance:5Ω(MAX)

C	Tie	Black Tie	PCS	1	
B	Connector	IDC Pitch:2.54 14P Socket Black With Nose	SET	1	
A	Wire	UL2651 14C #28 PH:1.27mm LightGray	PCS	1	
NO.	PARTS NAME	DESCRIPTION	Unit	QTY.	Remark

 WinFull Technology Co., Ltd. <small>6F., No.81, Sec. 3, Chengong Rd., Neihu Dist., Taipei City 11460, Taiwan. T: +886 2 2790 0365 F: +886 2 2790 1395 E-Mail: sales@winfulltek.com.tw</small>	Length	TOI.	Length	TOI.	DESIGN: Aydin	DATE: 2014.08.07	CUS P/N: 5213-14W-10M	TITLE: IDC RIBBON CABLE 14PIN TO OPEN L=10M
	500-	±10	25-100	±3	CHECKED: Aydin	DATE: 2014.08.07		
	REV. 01	UNIT. mm	SCALE. 1:1	PAGE. 1/1		AUDITED: Bob.Liu	DATE: 2014.08.07	