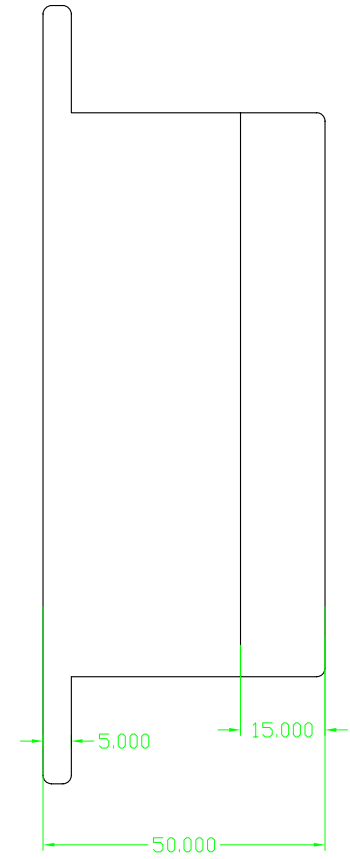
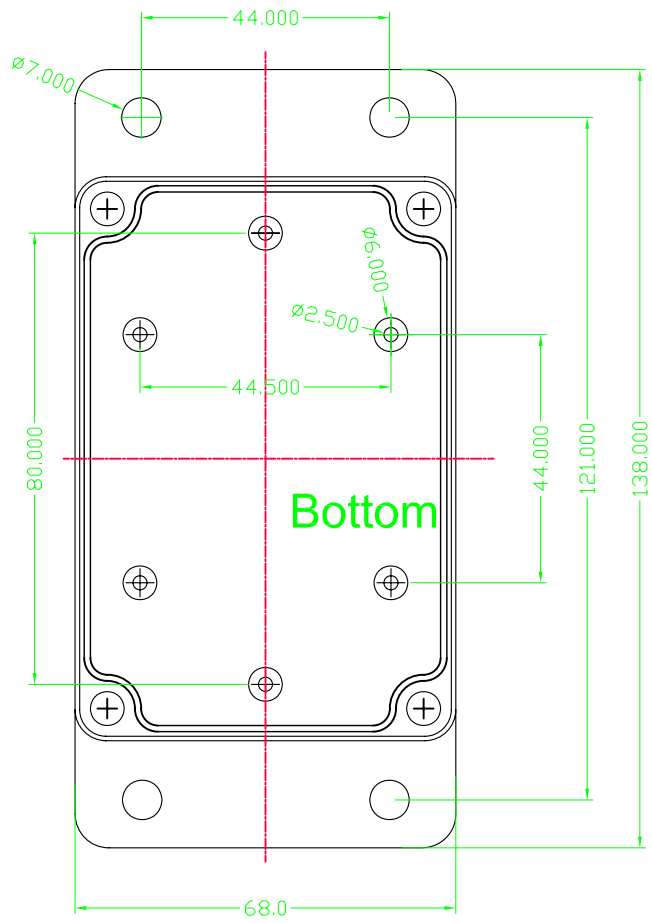
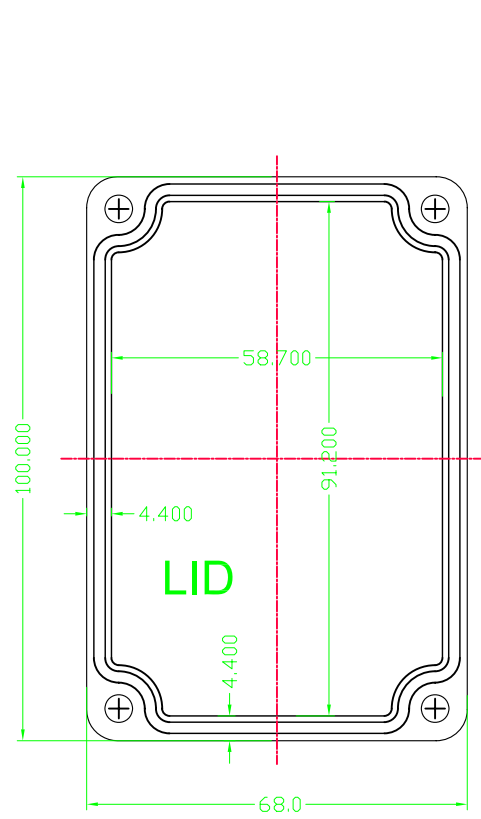


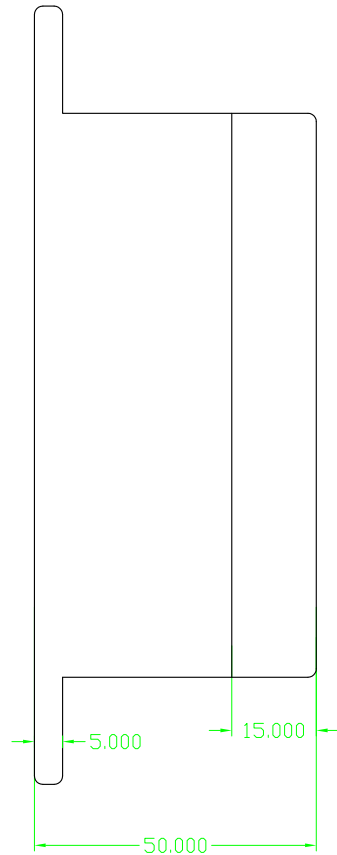
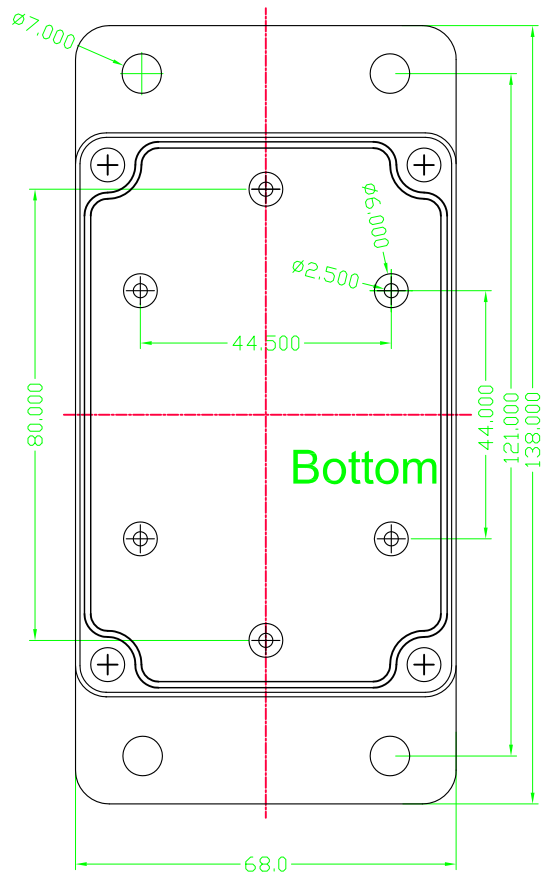
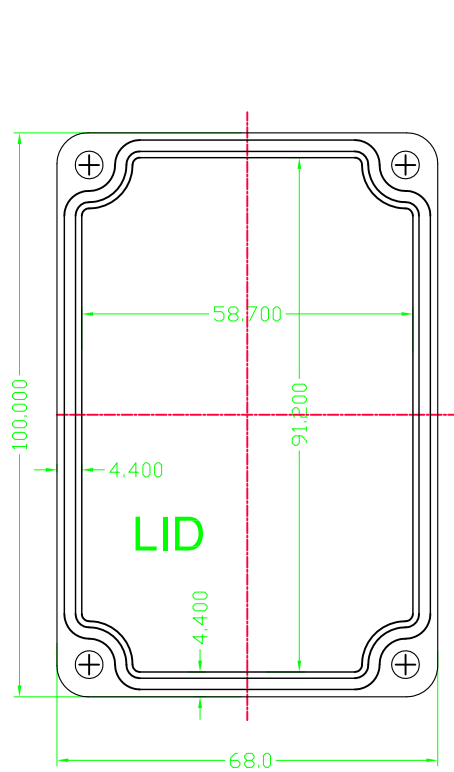
	CHKD



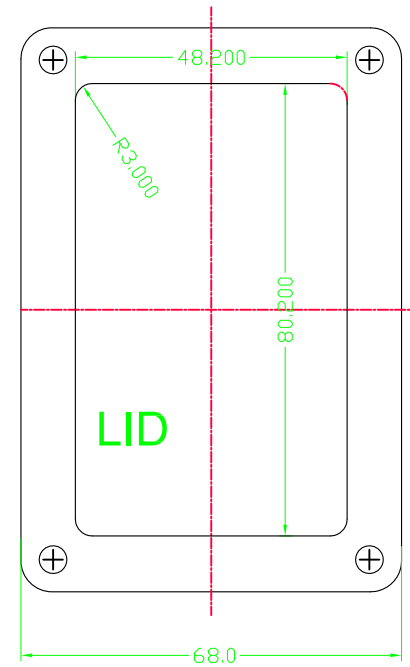
Assembly

← (mm) →		CHKD zhongjioe	DATE 01/12/09	<b>CHINA ENCLOSURE</b> 赛诺模具壳体 WWW.CHINA-ENCLOSURE.COM	
TOLERANCES EXCEPT AS NOTED		MFD SUNNY	DATE 01/16/09		
DETACHED LISTS	MM		APPVL	DATE	TITLE
	.0 ± 0.2	±			
	.00 ± 0.1	±	MATERIAL : ABS		
	.000 ± 0.05	±	FINISH:		
ANGLES ± 5°		QTY :		DRAWING NO.	
 THIRD ANGLE PROJECTION		SCALE : 1:1		/PART NO.	
		DO NOT SCALE DRAWING		SHEET 1 OF 1	

	CHKD



Assembly



← (mm) →		CHKD zhangjoe	DATE 01/12/09	<b>ChinaEnclosure</b> ???????	<b>CHINA ENCLOSURE</b> WWW.CHINA-ENCLOSURE.COM
TOLERANCES EXCEPT AS NOTED		MFD SUNNY	DATE 01/16/09		
DETACHED LISTS	MM	±	APPVL	DATE	TITLE <b>CN608</b>
	.0 ± 0.2	±	MATERIAL : <b>ABS</b>		
	.00 ± 0.1	±	QT'Y :		DRAWING NO.
	.000 ± 0.05	±	FINISH:		/PART NO.
ANGLES ± 5°		THIRD ANGLE PROJECTION		SCALE : 1:1	DO NOT SCALE DRAWING
				SHEET 1	OF 1

SIZE A4  
REV REV2