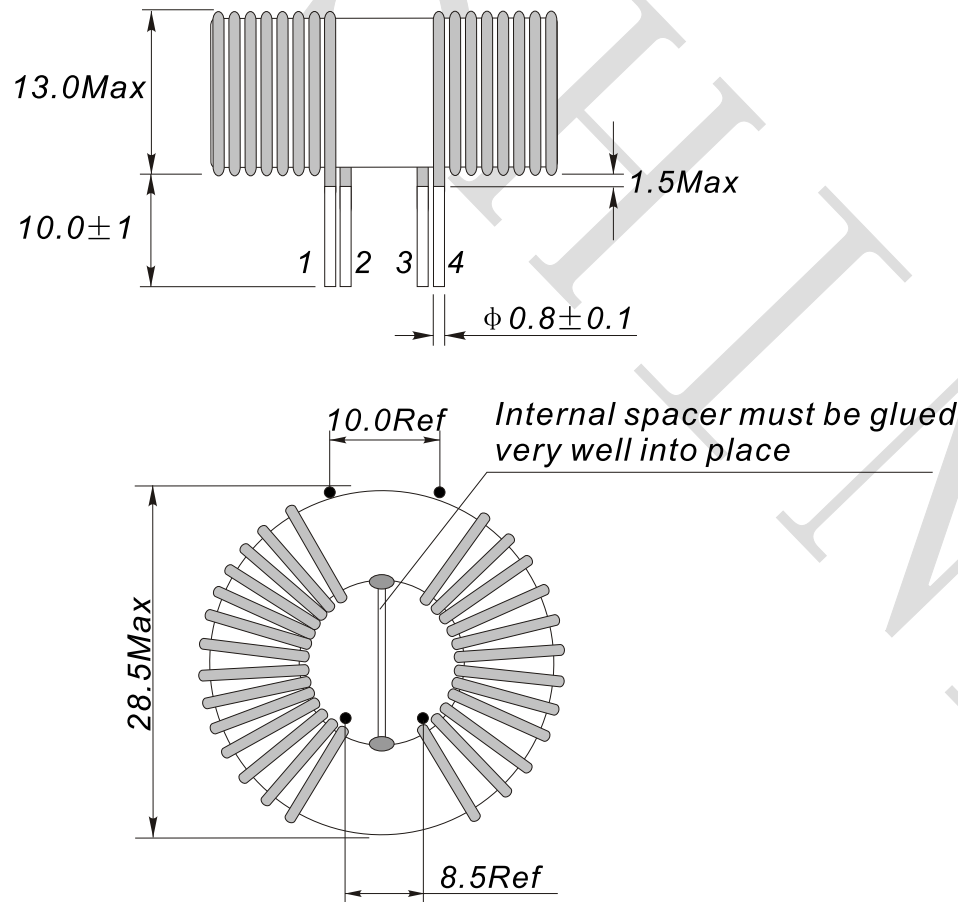


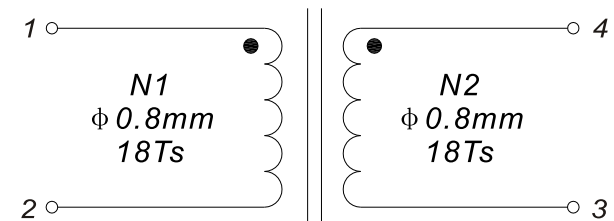
## 1. PHYSICAL CHARACTERISTICS (mm)



### NOTES:

Temp 25°C 48%RH  
RoHS Compliant

## 2. ELECTRONICAL SCHEMATIC



## 3. ELECTRONICAL SPECIFICATIONS

Inductance: 3.0mH ± 30% @ 50KHz, 1V

/LN1-LN2/: 1mH Max @ 50KHz, 1V

RDC: 32mΩ Max

Hi-Pot: 1.5KV, 50Hz, 5mA, 60S N1 to N2

Insulated resistance: 100MΩ Min, 500Vdc N1 to N2

## 4. MATERIAL LIST

Item	Material	Manufacturer	UL No.
Core	A10 T25X15X10C	ACME	
Wire	2UEW /130°C	Xuzhou shengbao industry co.,LDT	E194766
Epoxy	H907	Dong Guan shi pai hua chuang material fty	E304477
Spacer	KB-6150 FR-4	KINGBOARD LAMINATES HOLDINGS LTD	E123995

NAME:	Toroidal inductors		
CUSTOMER P/N:	BF-1593-25	DATE:	2013-06-09
SHINHOM P/N:	TRF2510H-302Y	REV: A0	PAGE
DRAWN BY	CHECKED BY	APPROVE BY	



# SHINHOM

SHAANXISHINHOM ENTERPRISE CO LTD

TEL: +86-029-87851838  
FAX: +86-029-87851840  
ZIP: 710054  
Http://www.shinhom.com  
E-mail: shinhom@globalsources.com  
sales@shinhom.com.cn  
NO. 8, Yanta Northern Road, Xi'an Shaanxi Pro. China