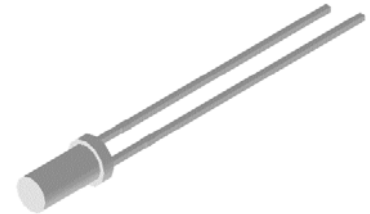


## 3mm Round Bi-Color LED Non-Polarity

### VT 3QH7

#### Description

The VT 3QH7 is 3mm round without polarity Bi-Color with white diffuse lens LED Lamp. The chip material used in Red and True-green emitting is high efficiency AlGaInP and InGaN material with brilliant light output. It has high reliability lead based package and available in full selection of colors, high intensity under low current condition





#### Applications

- TV Set
- Monitor
- Computer
- Telephone



#### Electronic Optical Characteristics (at 20mA):

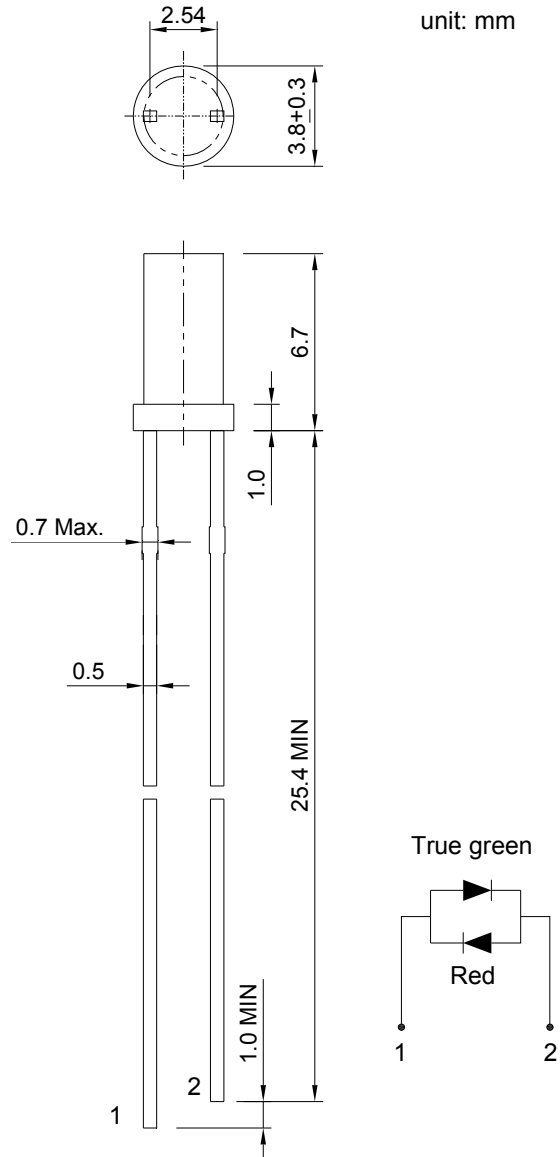
Part Number	Emitted Color	$\lambda$ (nm)		Iv(mcd)		VF(Volt)		View Angle	Lens
		$\lambda d$	$\lambda p$	Min	Typ.	Typ.	Max.		
VT 3QH7	True-green 	525	518	28	55	3.5	3.8	140	Milky
	Red 	624	632	18	32	2.0	2.4		

#### Absolute Maximum Ratings (at Ta=25°C)

Emitted Color	P <sub>D</sub> (mW)	I <sub>F</sub> (mA)	T <sub>sol</sub> (°C)	I <sub>R</sub> ( $\mu$ A)@V <sub>R</sub> =5V	Topr (°C)	Tstg (°C)
True-green	90	25	260 $\pm$ 5 5 sec.	50	-40~+85	-40~+90
Red	60	25		10	-40~+85	-40~+90

Note: Please take note the Absolute Maximum Rating values. Any operation beyond the specify ratings in this table will result degradation of LED life- span and may cause LED to fail.

**Package Dimension:**



**Notes:**

1. All dimensions are millimeters.
2. Tolerance is  $\pm 0.2$ mm unless otherwise specified.
3. Specifications are subject to change without notice.