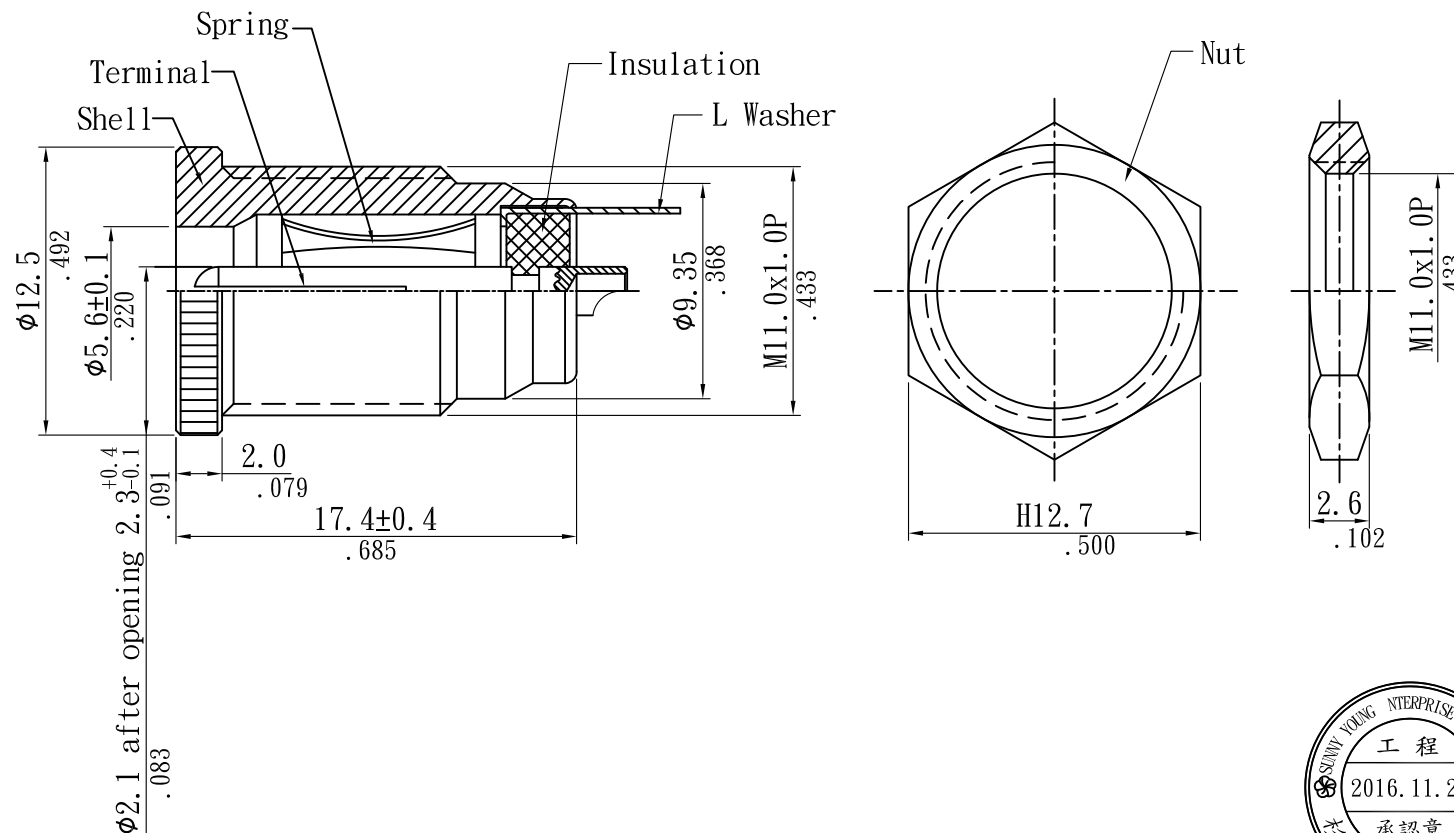


# 2.1 $\phi$ (0.083") DC JACK

## MATERIAL


Shell: Brass , Nickel Plated  
 Terminal: Brass , Nickel Plated  
 Spring: K7 , Nickel Plated  
 Insulation: Nylon+GF , Black  
 L Washer: Brass , Nickel Plated  
 Nut: Brass , Nickel Plated



Order information  
R 4340-DC-S10-021-A  
 1 2 3 4 5 6

1. RoHS
2. Series NO.
3. DC power Jack
4. Solder type
5. 2.1  $\phi$
6. Black



 Sunny Young Enterprise Co., Ltd. S. Y. E. <a href="http://www.sunnyyoung.com.tw">http://www.sunnyyoung.com.tw</a> 13F., No. 116, Sec. 1, Xintai 5th Rd., Xizhi Dist., New Taipei City 221, Taiwan Tel: +886 2 2696 1668(REP) Fax: +886 2 2696 2668	S013	NAME	DATE	SCALE: NTS	REV NO	DATE	DESCRIPTION	BY	CHECKED	TOLERANCE UNLESS NOTED	
	DRAWN	王心媛	2016.11.28	UNIT: mm(in.)	A					LINEAR±	±0.20(.008)
	CHECKED	劉振宇	2016.11.28	CAD NO	B						
PART NO	R4340-DC-S10-021-A	APPROVED	趙賢忠	2016.11.28	R4340-DC-S10-021-A	C					PROJECTION: 