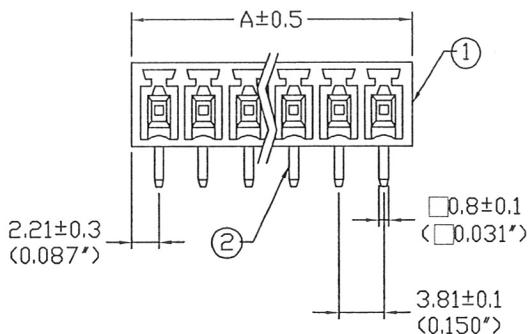
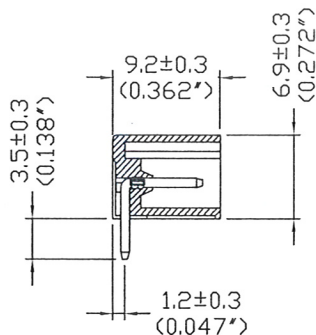
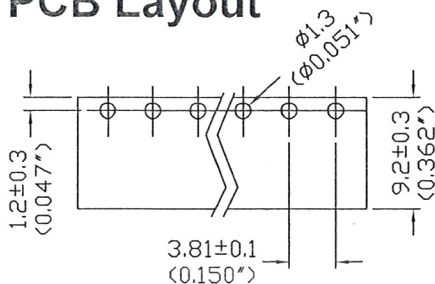


Part No:ME030-381
 Order No:ME030-381XXTP



PCB Layout



Pitch : 3.81mm(0.150inch)

Poles	A(mm)	A(inch)	Poles	A(mm)	A(inch)
2	8.23	0.324	15	57.76	2.274
3	12.04	0.474	16	61.57	2.424
4	15.85	0.624	17	65.38	2.574
5	19.66	0.774	18	69.19	2.724
6	23.47	0.924	19	73.00	2.874
7	27.28	1.074	20	76.81	3.024
8	31.09	1.224	21	80.62	3.174
9	34.90	1.374	22	84.43	3.324
10	38.71	1.524			
11	42.52	1.674			
12	46.33	1.824			
13	50.14	1.974			
14	53.95	2.124			

Current rating : 12Amp AC300V
 Insulation withstands volt : AC2000V min
 Insulation resistance : >2000MΩ DC500V
 Operation temperature : -40°C to +105°C

CONFIRMED & ACCEPTED BY



DECA SwitchLab **Switchlab INC.**

	Material	Plating/Finish	Remark
1	Insulating body Polyamide 66(UL94V-0)		Green
2	Solder pin Brass	Tin plated	
3			

ORDER NO.	ME030-381XXTP	VERSION	A	CONFIRMED BY	<i>[Signature]</i>
SHEET OF	2/2	METRIC	MM	DRAWN BY	<i>[Signature]</i>
				DATE	2011/05/30
				GENERAL MANAGER	<i>[Signature]</i>