

USB B TYPE FLAT 4 PIN DIP

MATERIAL

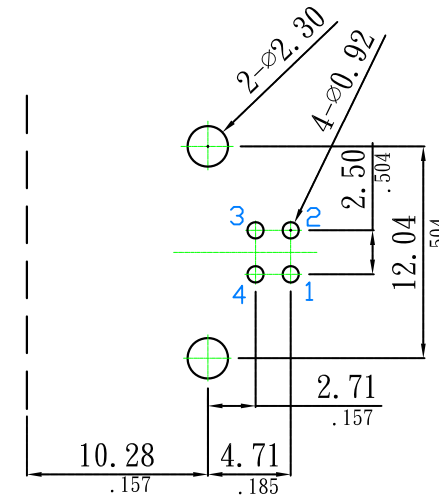
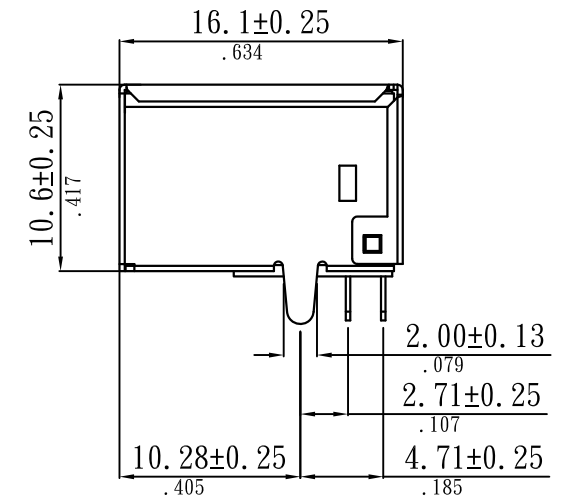
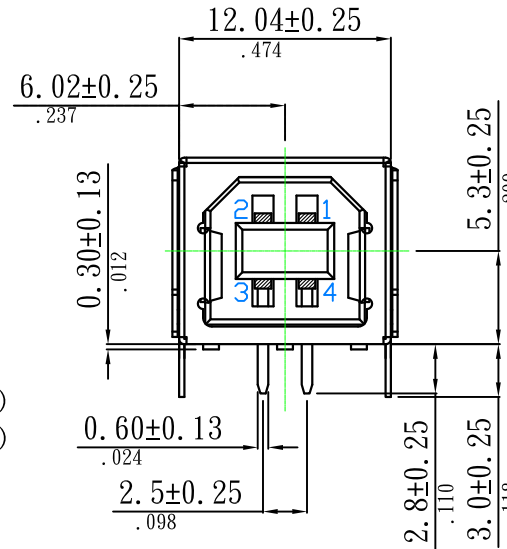
Insulator: PBT G.F.
 Color: BLACK
 Contact: Phosphor bronze
 Contact thickness: 0.25mm
 Shell: Brass
 Shell thickness: 0.3mm
 Plating: Gold/Tin plated on pin term.
 (Gold:1-3u", NI:40-60u", TIN:120u".
 100% pure tin of lead free plating)
 Nickel plated on shell(NI:80-120u")

SPECIFICATIONS

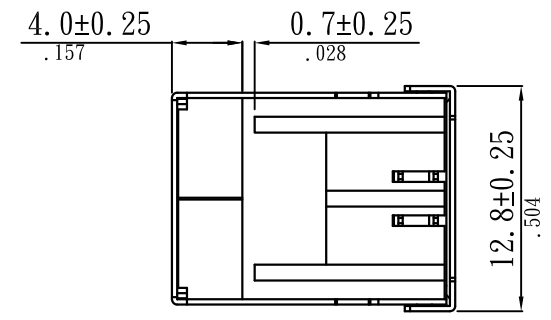
Extraction Force: 10 Newton Min.
 Insertion Force: 35Newton Max.
 Durability(Life Test): 1500 Cycles
 Rated Voltage And Current: 1.5A At 250VAC Min.
 Insulation resistance: 1000 MΩ Min. At 500VDC.
 Contact resistance: 0.03Ω Max.
 Dielectric Withstanding Voltage: 750V ac (rms) for 1minute(Rev. 1.1)

R 2950-B R-x-02-1.1
 1 2 3 4 5 6

1. RoHS
2. Series No.
3. B type
4. Right angle
5. Color:A=Black J=White
6. Version



PCB LAYOUT ±0.05



 Sunny Young Enterprise Co., Ltd.
 S. Y. E. <http://www.sunnyyoung.com.tw>
 13F., No. 116, Sec. 1, Xintai 5th Rd., Xizhi Dist., New Taipei City 221, Taiwan
 Tel:+886 2 2696 1668(REP) Fax:+886 2 2696 2668

M158	NAME	DATE	SCALE: 1:2.5	REV NO	DATE	DESCRIPTION	BY	CHECKED	TOLERANCE UNLESS NOTED	
DRAWN	SONIA	2014. 10. 22	UNIT: mm(in.)	A					LINEAR±	.0 ±0.30(.012)
CHECKED	SEAN	2014. 10. 22	CAD NO	B						.00 ±0.20(.008)
APPROVED	TINA	2014. 10. 22	R2950-BR-x-02-1.1	C						.000±0.10(.004)
PART NO	R2950-BR-x-02-1.1								PROJECTION: 